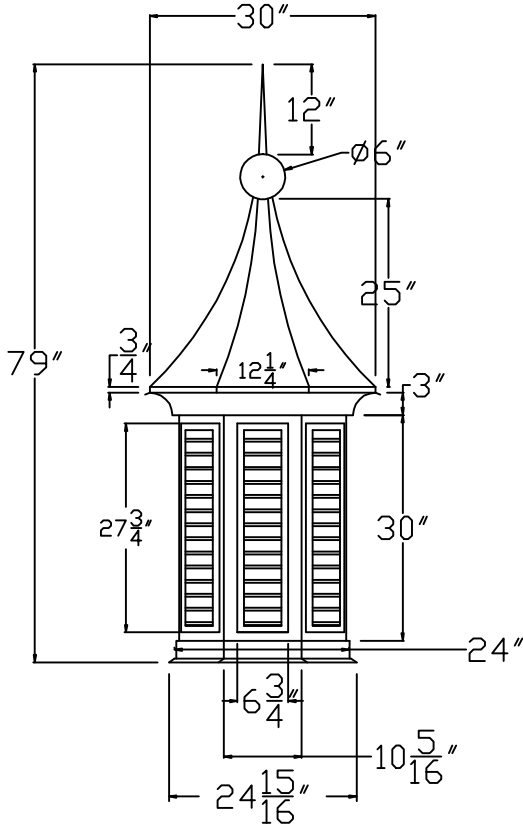


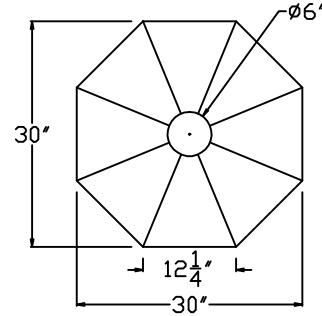
RUTLAND GUTTER SUPPLY LLC

rutlandguttersupply@yahoo.com Ph: 407-859-1119 Fax: 407-859-1123

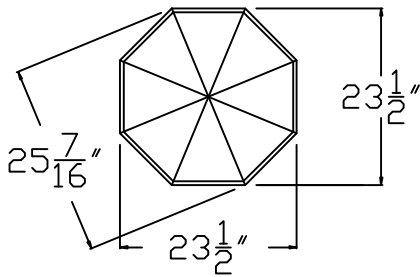
CU002S 8 SIDED



FRONT VIEW



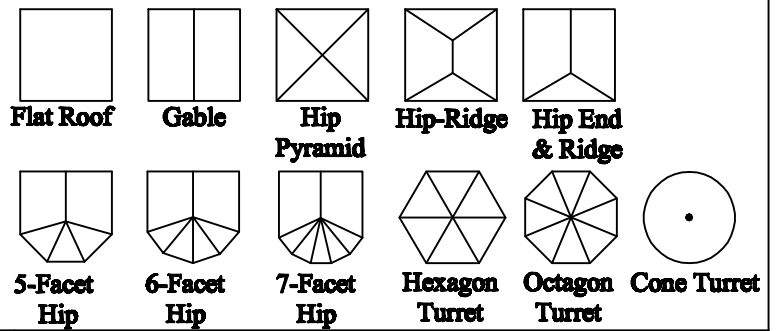
TOP VIEW



BASE SIZE

Scale:NONE

SELECT ROOF SHAPE



Company:	Item: CU002S 8 SIDED
Invoice:	Material:
PO#:	Notes:
Architect:	
Contractor:	
Date:	
Approved by:	
Signature:	

CUSTOM ORDERS CAN NOT BE RETURNED