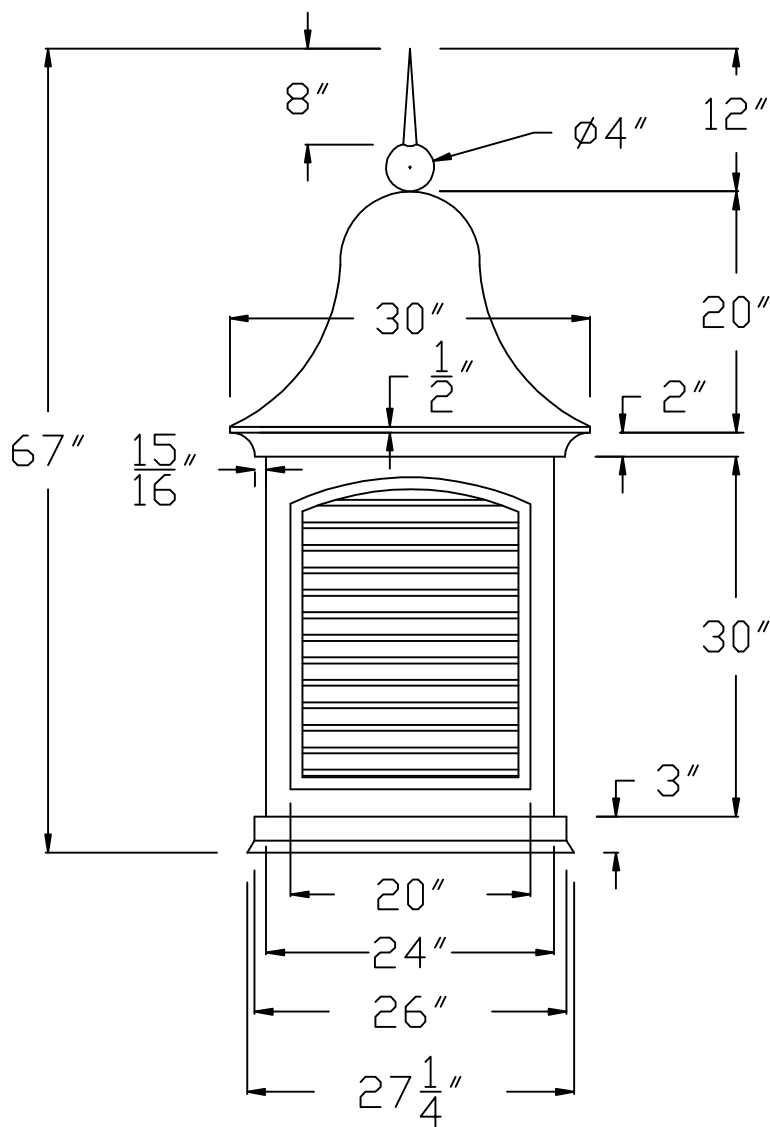


RUTLAND GUTTER SUPPLY LLC

rutlandguttersupply@yahoo.com Ph: 407-859-1119 Fax: 407-859-1123

CU003 Small Square Cupola



Scale: $\frac{3}{4}" = 1'-0"$

Company:	Item: SMALL SQUARE CUPOLA
Invoice:	Material:
PO#:	Notes:
Architect:	
Contractor:	
Date:	
Approved by:	
Signature:	

CUSTOM ORDERS CAN NOT BE RETURNED