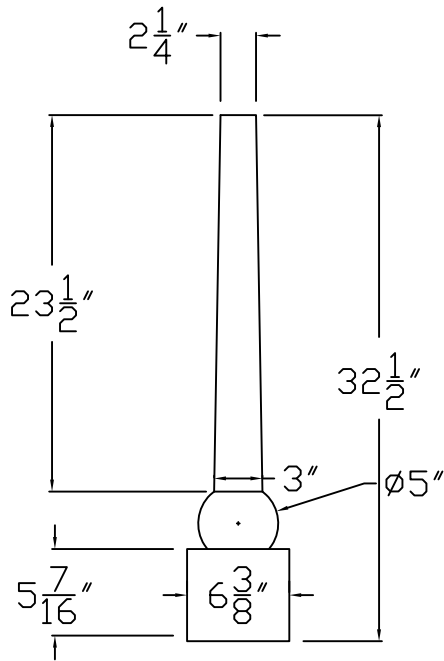


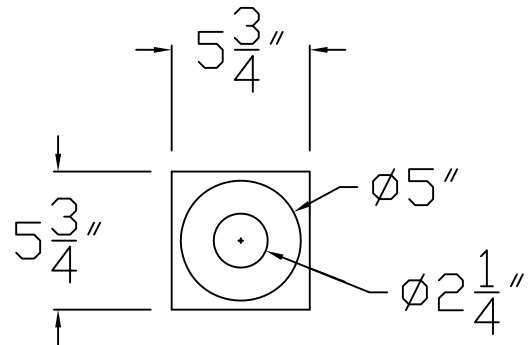
RUTLAND GUTTER SUPPLY LLC

sales@rutlandguttersupply.com Ph: 407-859-1119 Fax: 407-859-1123

FL009



TOP VIEW



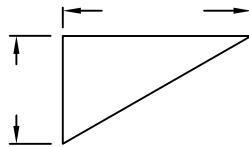
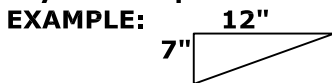
TOP VIEW

SPECIFY ROOF PITCH

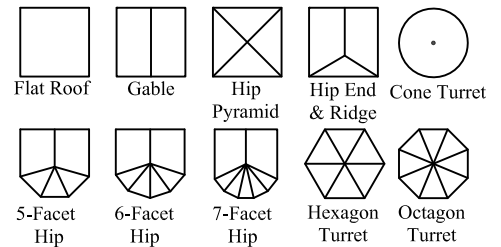
To determine roof pitch:

Use a straight edge atleast 12" long, Put corner on roof, holding vertically level.

At the 12" point, measure down. This is your roof pitch.



SELECT ROOF SHAPE



Company:	Item: FL009
Invoice:	Material:
PO#:	Notes:
Architect:	
Contractor:	
Date:	
Approved by:	
Signature:	

CUSTOM ORDERS CAN NOT BE RETURNED