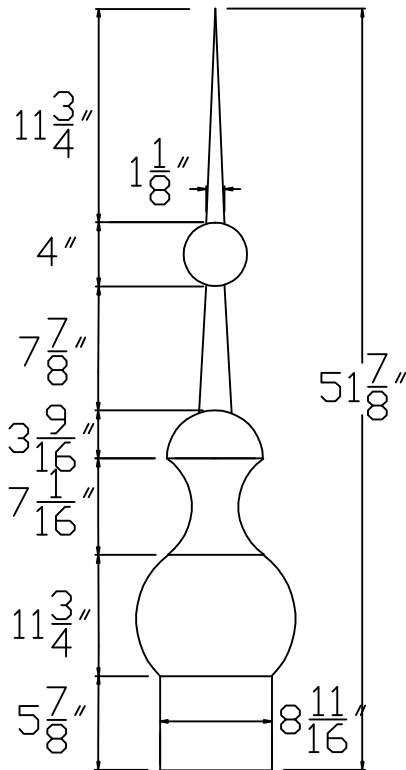


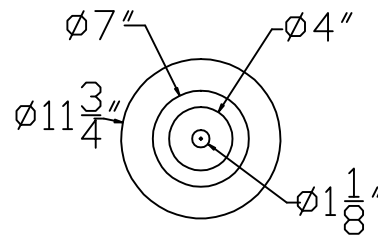
RUTLAND GUTTER SUPPLY LLC

sales@rutlandguttersupply.com Ph: 407-859-1119 Fax: 407-859-1123

FL034-L



FRONT VIEW

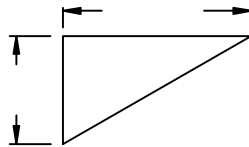
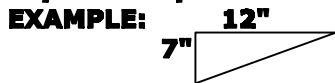


TOP VIEW

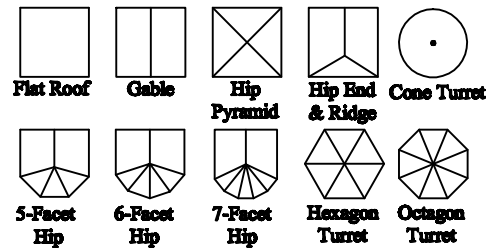
SPECIFY ROOF PITCH

To determine roof pitch:
Use a straight edge atleast 12" long,
Put corner on roof, holding vertically
level.

At the 12" point, measure down. This
is your roof pitch.



SELECT ROOF SHAPE



| | |
|---------------------|----------------------|
| Company: | Item: FL034-L |
| Invoice: | Material: |
| PO#: | Notes: |
| Architect: | |
| Contractor: | |
| Date: | |
| Approved by: | |
| Signature: | |

CUSTOM ORDERS CAN NOT BE RETURNED