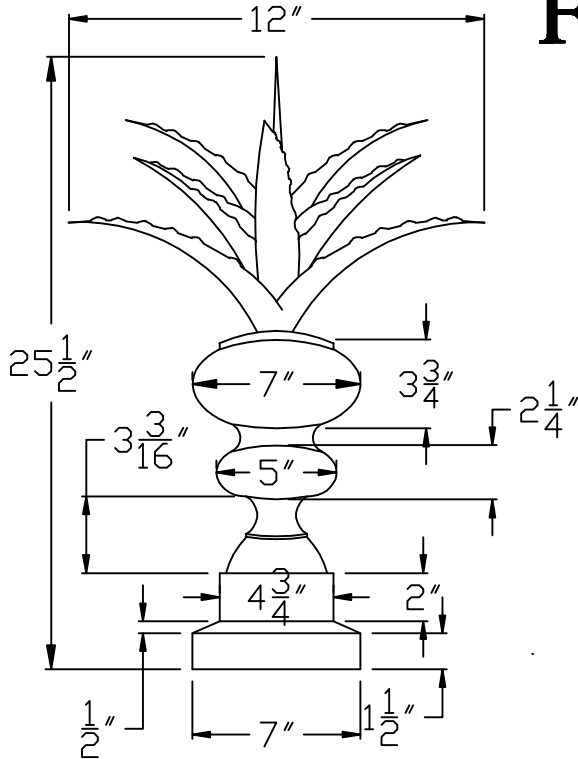


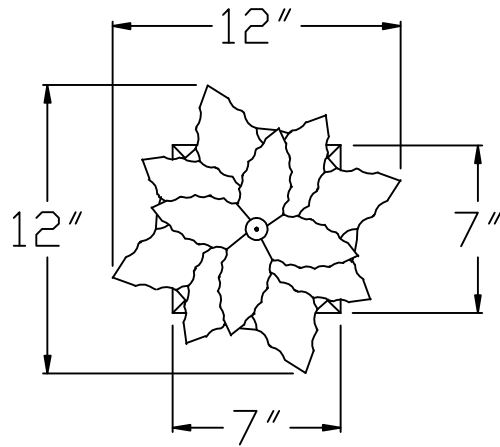
# RUTLAND GUTTER SUPPLY LLC

sales@rutlandguttersupply.com Ph: 407-859-1119 Fax: 407-859-1123

## FL040



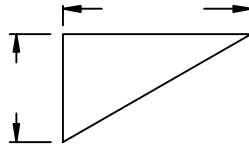
**FRONT VIEW**



**TOP VIEW**

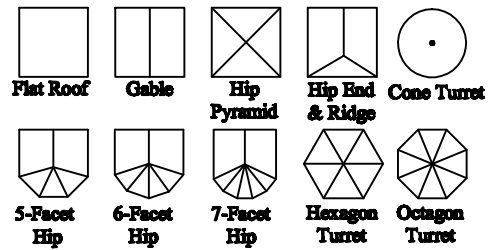
### SPECIFY ROOF PITCH

To determine roof pitch:  
Use a straight edge atleast 12" long,  
Put corner on roof, holding vertically  
level.  
At the 12" point, measure down. This  
is your roof pitch.



EXAMPLE:  $\frac{7}{12}$

### SELECT ROOF SHAPE



<b>Company:</b>	<b>Item: FL040</b>
<b>Invoice:</b>	<b>Material:</b>
<b>PO#:</b>	<b>Notes:</b>
<b>Architect:</b>	
<b>Contractor:</b>	
<b>Date:</b>	
<b>Approved by:</b>	
<b>Signature:</b>	

**CUSTOM ORDERS CAN NOT BE RETURNED**