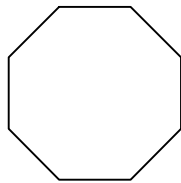
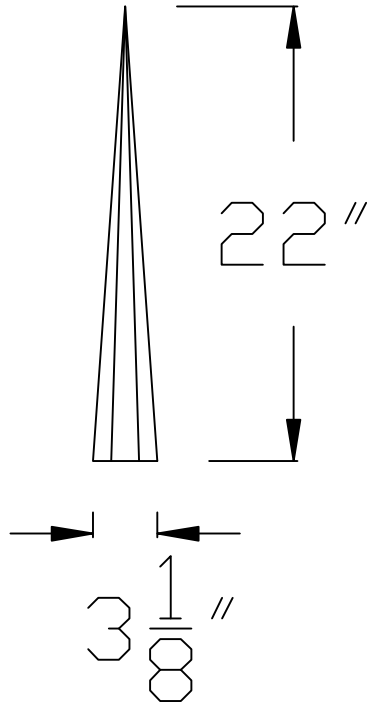


RUTLAND GUTTER SUPPLY LLC

rutlandguttersupply@yahoo.com Ph: 407-859-1119 Fax: 407-859-1123

FINIAL (OCTAGON) CONE SIZES (OTHER SIZES AVAILABLE)



Base Shape

Company:

Item:

Invoice:

PO#:

Notes:

Architect:

Contractor:

Date:

Approved by:

Signature:

CUSTOM ORDERS CAN NOT BE RETURNED