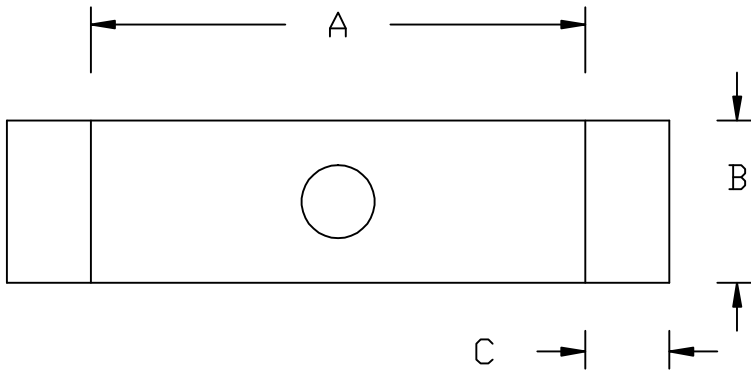


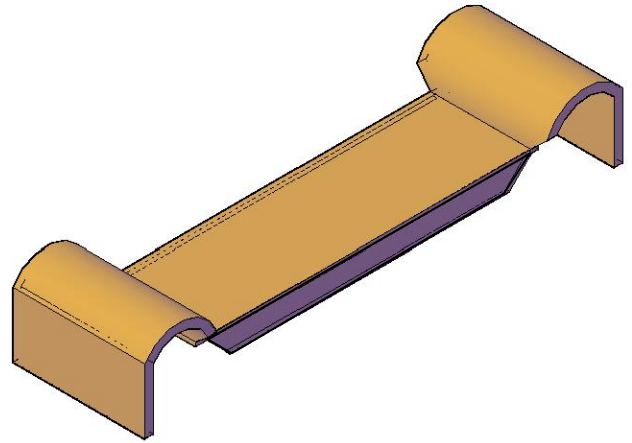
RUTLAND GUTTER SUPPLY LLC

rutlandguttersupply@yahoo.com Ph: 407-859-1119 Fax: 407-859-1123

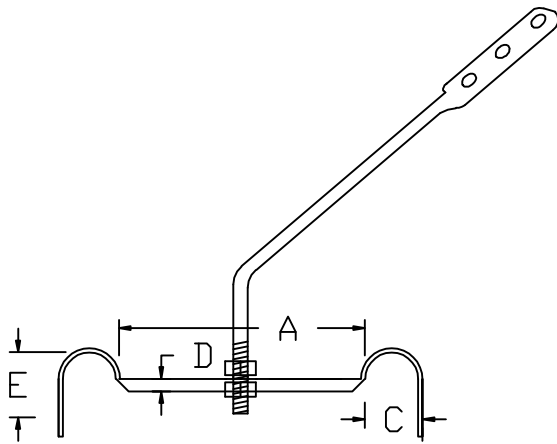
HALF ROUND HIDDEN HANGERS W/ DOUBLE BEAD



PLAN VIEW



ISO VIEW



SIDE VIEW

A	B	C	D	E
5"	1 1/2"	3/4"	1/4"	1 3/8"
6"	1 1/2"	7/8"	1/4"	1 3/8"
7"	1 1/2"	7/8"	1/4"	1 3/8"
8"	1 1/2"	7/8"	1/4"	1 3/8"

Company:	Item:
Invoice:	Material:
PO#:	Notes:
Architect:	
Contractor:	
Date:	
Approved by:	
Signature:	

CUSTOM ORDERS CAN NOT BE RETURNED