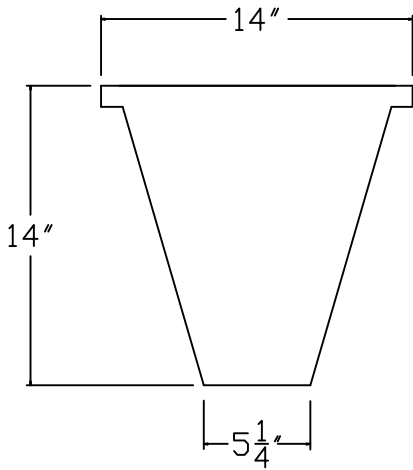


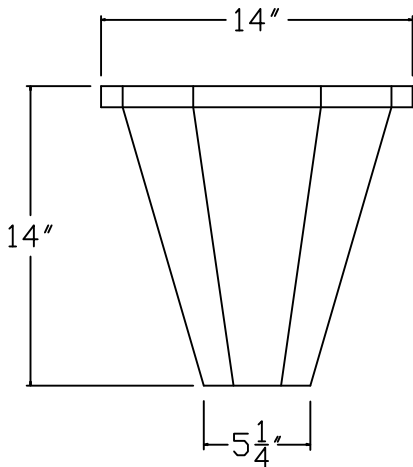
RUTLAND GUTTER SUPPLY LLC

rutlandguttersupply@yahoo.com Ph: 407-859-1119 Fax: 407-859-1123

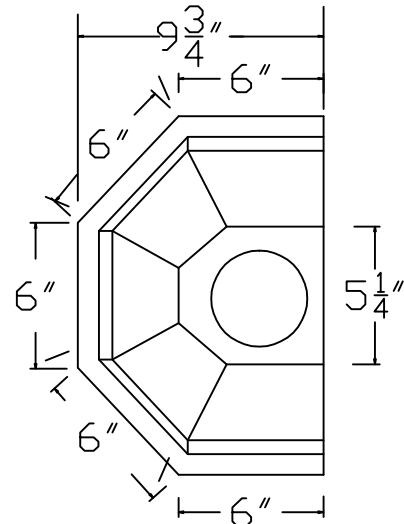
LH006



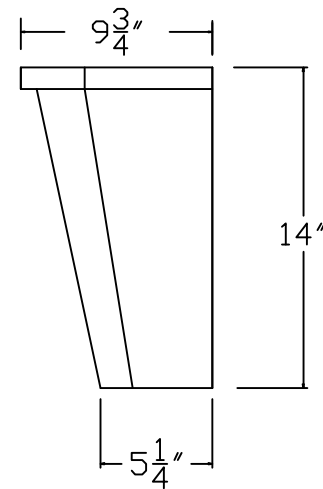
BACK VIEW



FRONT VIEW



TOP VIEW



SIDE VIEW

RUTLAND RESERVES THE RIGHT TO CHANGE OR MODIFY. DIMENSIONS SHOWN ARE FOR REFERENCE ONLY

| | |
|---------------------|--------------------|
| Company: | Item: LH006 |
| Invoice: | Material: |
| PO#: | Notes: |
| Architect: | |
| Contractor: | |
| Date: | |
| Approved by: | |
| Signature: | |

CUSTOM ORDERS CAN NOT BE RETURNED