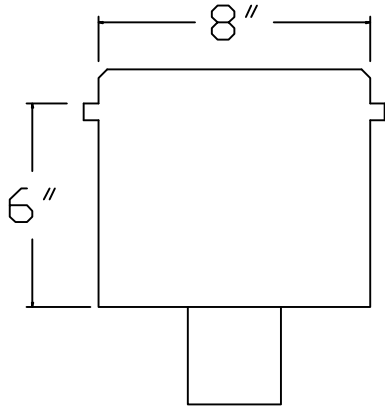


RUTLAND GUTTER SUPPLY LLC

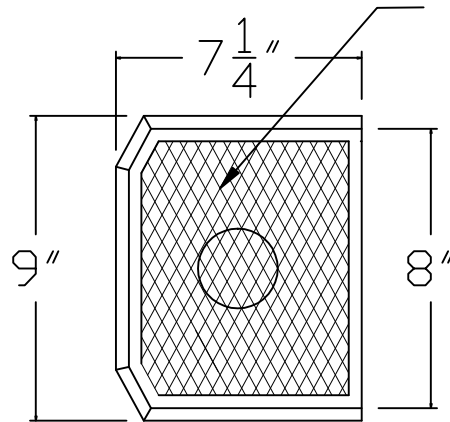
sales@rutlandguttersupply.com Ph: 407-859-1119 Fax: 407-859-1123

LH060

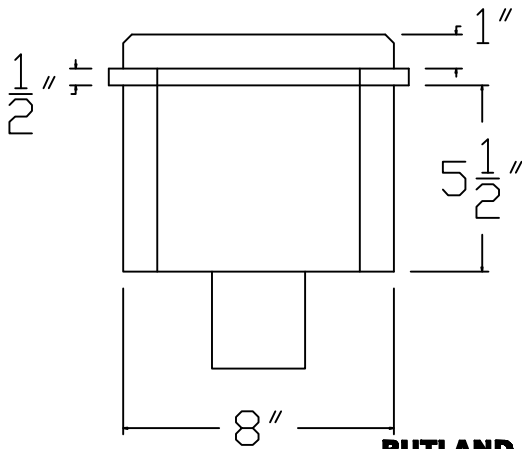
**SCREEN
OPTIONAL
FOR USE AS
CLEANOUT @
ADDITIONAL
CHARGE**



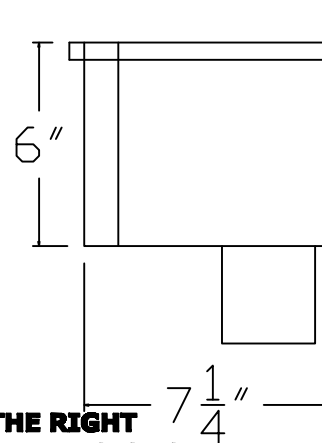
BACK VIEW



TOP VIEW



FRONT VIEW



SIDE VIEW

**RUTLAND RESERVES THE RIGHT
TO CHANGE OR MODIFY. DIMENSIONS
SHOWN ARE FOR REFERENCE ONLY**

Company:	Item: LH060
Invoice:	Material:
PO#:	Notes:
Architect:	
Contractor:	
Date:	
Approved by:	
Signature:	

CUSTOM ORDERS CAN NOT BE RETURNED