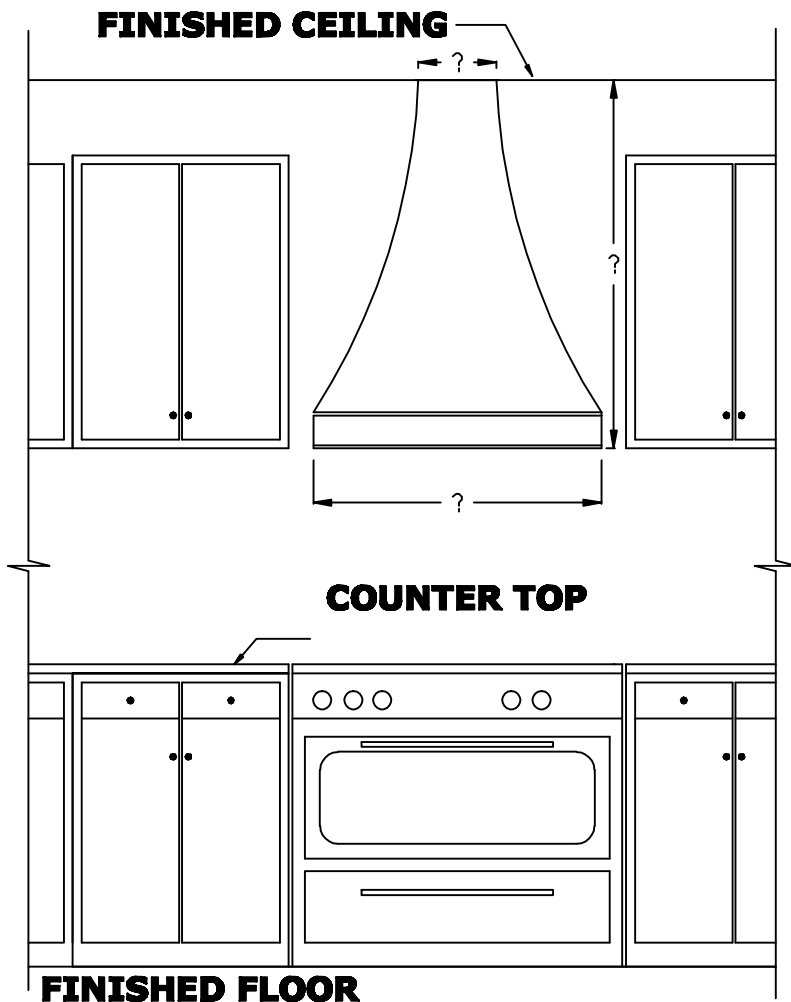


RUTLAND GUTTER SUPPLY LLC

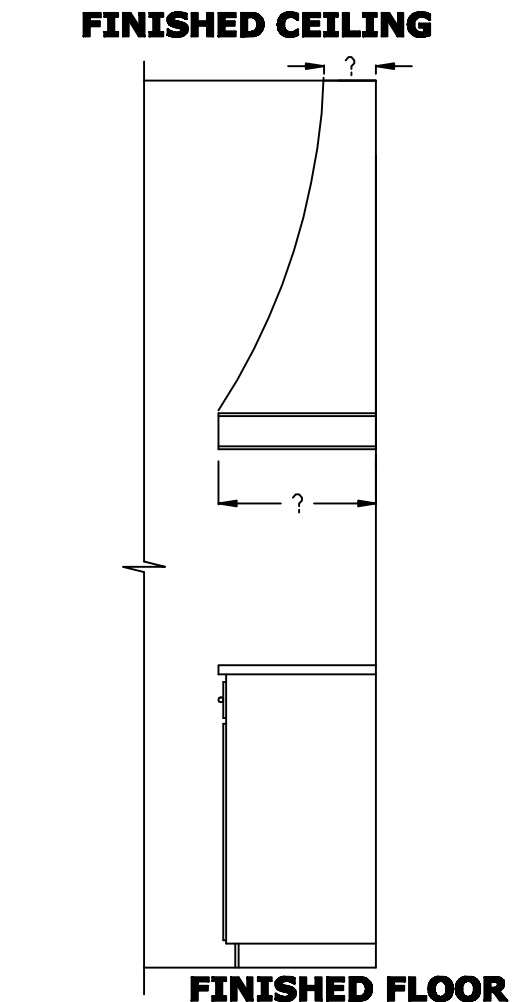
rutlandguttersupply@yahoo.com Ph: 407-859-1119 Fax: 407-859-1123

WALL MOUNTED HOOD

*****PLEASE SPECIFY TYPE HOOD THEN FILL IN MISSING DIMENSIONS, SIGN AND FAX BACK*****



FRONT ELEVATION



SIDE ELEVATION

****HOOD SHOWN FOR ILLUSTRATION****

| | |
|---------------------|------------------|
| Company: | Item: |
| Invoice: | Material: |
| PO#: | Notes: |
| Architect: | |
| Contractor: | |
| Date: | |
| Approved by: | |
| Signature: | |

CUSTOM ORDERS CAN NOT BE RETURNED