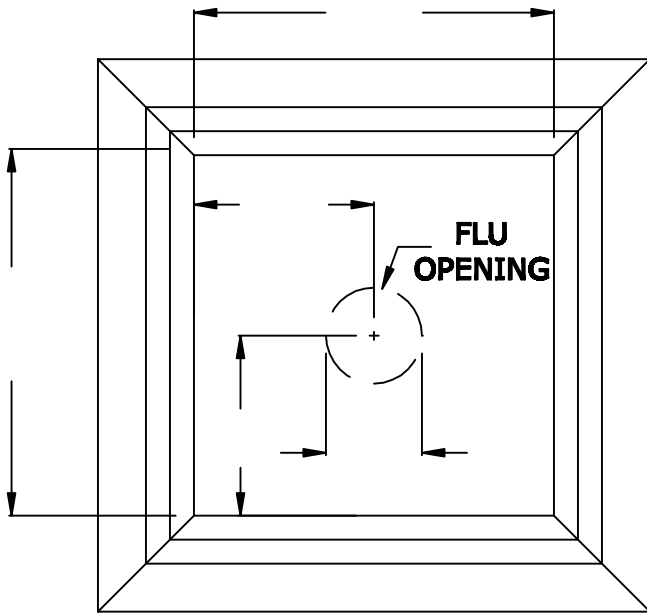


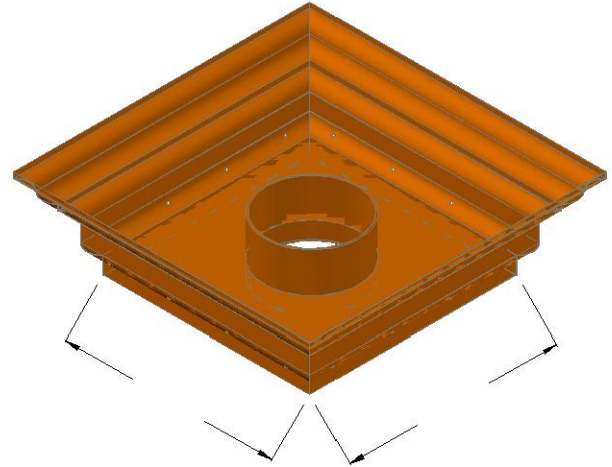
# RUTLAND GUTTER SUPPLY LLC

rutlandguttersupply@yahoo.com Ph: 407-859-1119 Fax: 407-859-1123

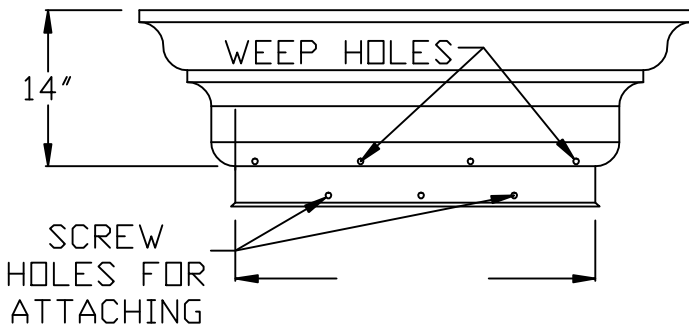
## CC007 ORDER FORM



**PLAN VIEW**



**ISO VIEW**



**SIDE VIEW**

**\* PLEASE FILL  
IN MISSING  
DIMENSIONS\***

<b>Company:</b>	<b>Item: CHIMNEY CAP 007</b>
<b>Invoice:</b>	<b>Material:</b>
<b>PO#:</b>	<b>Notes:</b>
<b>Architect:</b>	
<b>Contractor:</b>	
<b>Date:</b>	
<b>Approved by:</b>	
<b>Signature:</b>	

**CUSTOM ORDERS CAN NOT BE RETURNED**