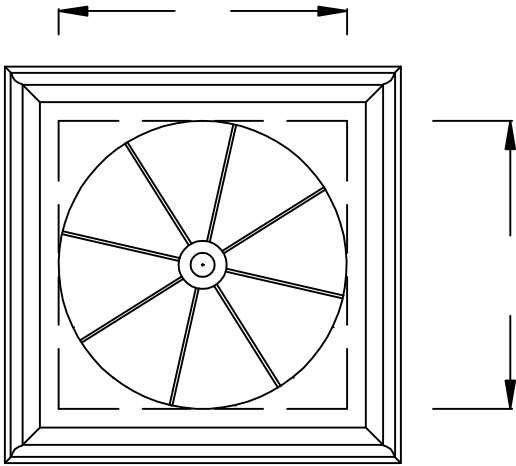


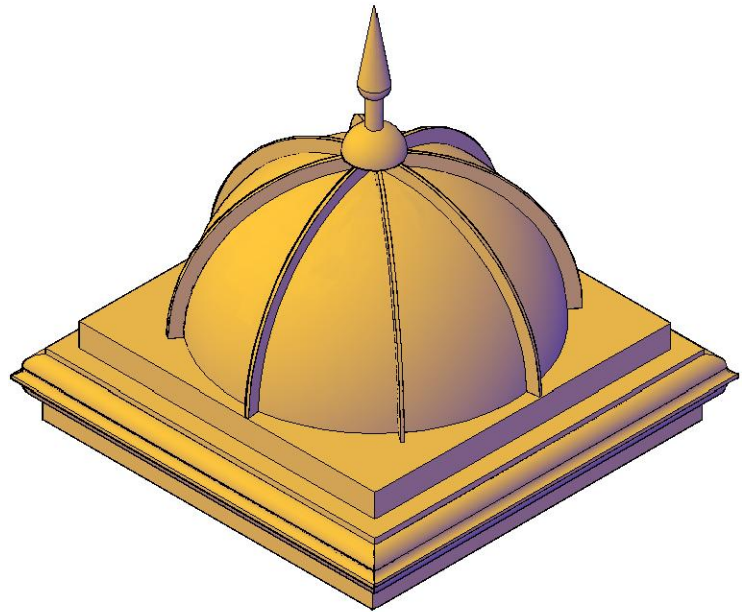
RUTLAND GUTTER SUPPLY LLC

rutlandguttersupply@yahoo.com Ph: 407-859-1119 Fax: 407-859-1123

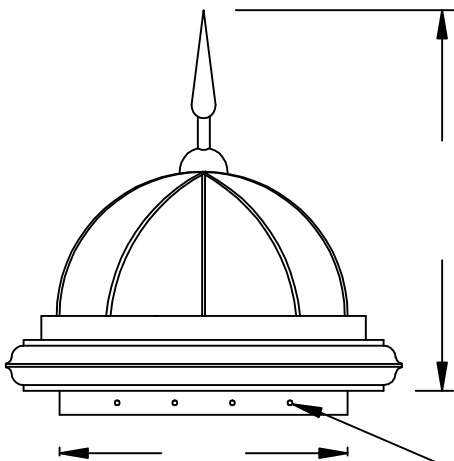
CC010 ORDER FORM



PLAN VIEW



ISO VIEW



HOLES FOR
MOUNTING

SIDE VIEW

*** PLEASE FILL
IN MISSING
DIMENSIONS***

| | |
|---------------------|------------------------------|
| Company: | Item: CHIMNEY CAP 010 |
| Invoice: | Material: |
| PO#: | Notes: |
| Architect: | |
| Contractor: | |
| Date: | |
| Approved by: | |
| Signature: | |

CUSTOM ORDERS CAN NOT BE RETURNED