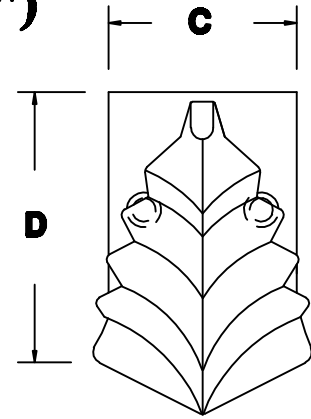
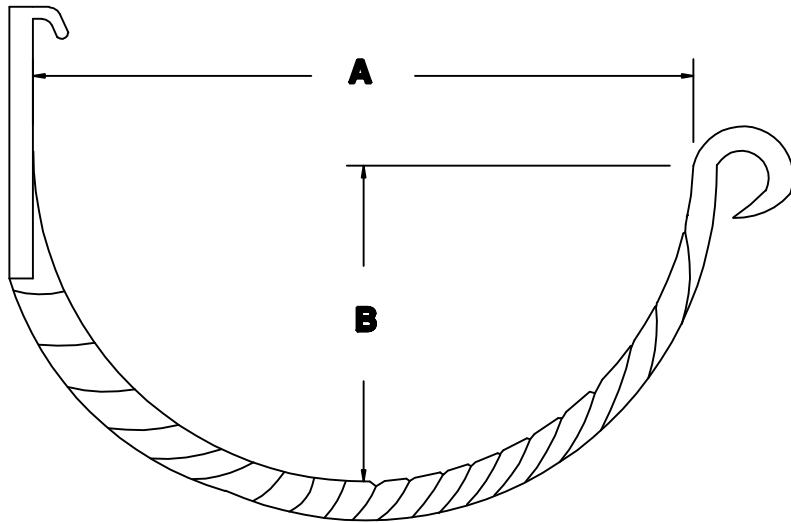


RUTLAND GUTTER SUPPLY LLC

rutlandguttersupply@yahoo.com Ph: 407-859-1119 Fax: 407-859-1123

ACANTHUS HANGER

(ONLY AVAILABLE IN 7")



FRONT VIEW

SIDE VIEW

MATERIAL

Solid Cast Copper
 Solid Cast Aluminum
 Solid Cast Powder Coated Aluminum

A	B	C	D
7"	3½"	1⅞"	2⅞"

Company:	Item: 7" ACANTHUS HANGER
Invoice:	Material:
PO#:	Notes:
Architect:	
Contractor:	
Date:	
Approved by:	
Signature:	

CUSTOM ORDERS CAN NOT BE RETURNED