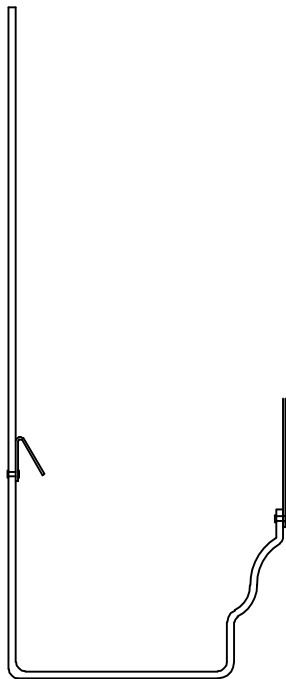


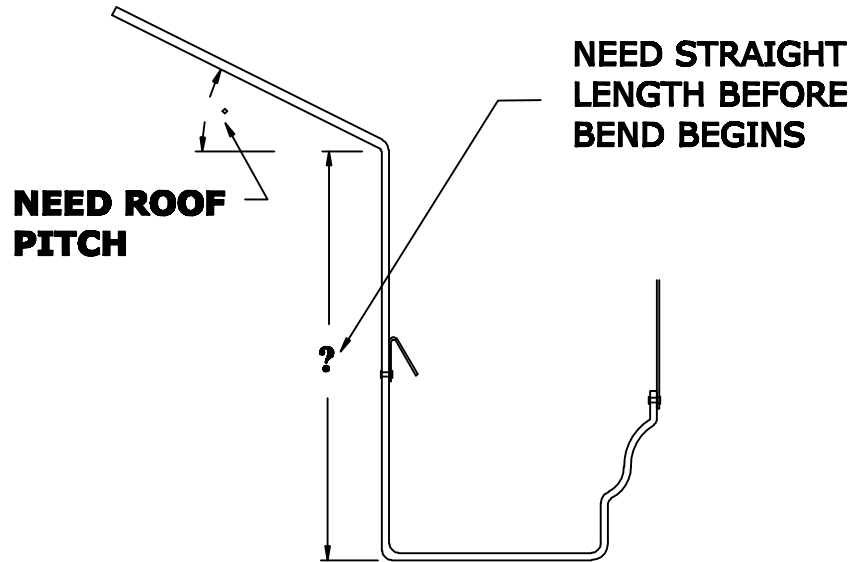
RUTLAND GUTTER SUPPLY LLC

rutlandguttersupply@yahoo.com Ph: 407-859-1119 Fax: 407-859-1123

ROOF MOUNT K-STYLE HANGER ORDER FORM



STANDARD J-HANGER



ROOF MOUNTED J-HANGER

ROOF PITCH
 To determine roof pitch:
 Use a straight edge at least 12" long,
 Put corner on roof, holding vertically level.
 At the 12" point, measure down. This
 is your roof pitch.
EXAMPLE:

Company:	Item: ROOF MOUNTED K-STYLE J-HANGER
Invoice:	Material:
PO#:	Notes:
Architect:	
Contractor:	
Date:	
Approved by:	
Signature:	

CUSTOM ORDERS CAN NOT BE RETURNED