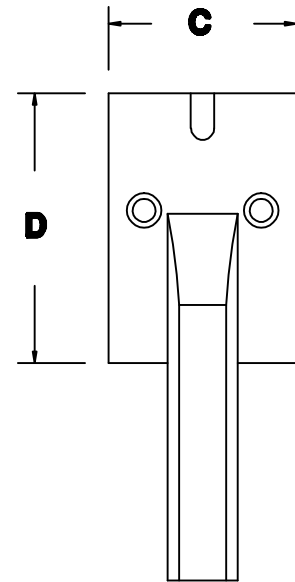
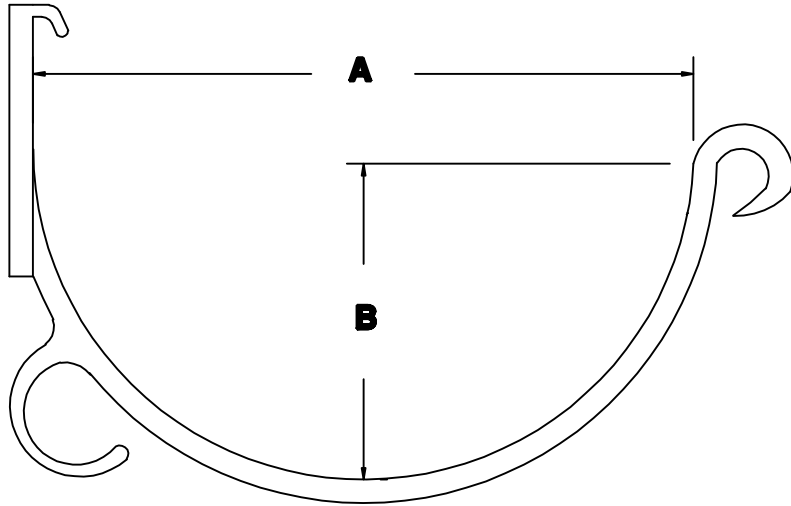


# RUTLAND GUTTER SUPPLY LLC

rutlandguttersupply@yahoo.com Ph: 407-859-1119 Fax: 407-859-1123

## CAST SCROLL HANGER



**FRONT VIEW**

**SIDE VIEW**

**MATERIAL**

Solid Cast Copper  
or  
Solid Cast M/F Aluminum  
or  
Solid Cast Painted Aluminum

A	B	C	D
5"	2½"	1⅞"	2⅞"
6"	3"	1⅞"	2⅞"
7"	3½"	1⅞"	2⅞"
8"	4"	1⅞"	2⅞"
9"	4½"	1⅞"	2⅞"
10"	5"	1⅞"	2⅞"

<b>Company:</b>	<b>Item: CAST SCROLL HANGER</b>
<b>Invoice:</b>	<b>Material: COPPER OR ALUMINUM</b>
<b>PO#:</b>	<b>Notes: ALUMINUM CANBE PAINTED</b>
<b>Architect:</b>	
<b>Contractor:</b>	
<b>Date:</b>	
<b>Approved by:</b>	
<b>Signature:</b>	

**CUSTOM ORDERS CAN NOT BE RETURNED**