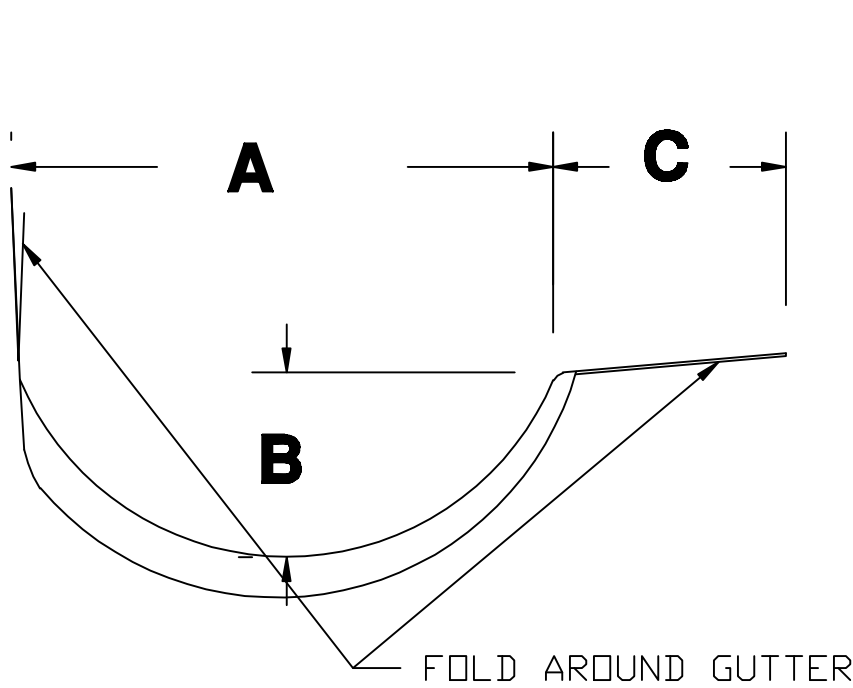


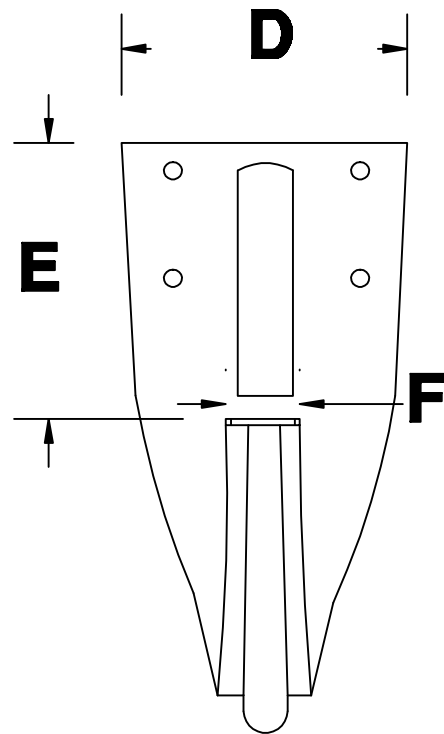
# RUTLAND GUTTER SUPPLY LLC

rutlandguttersupply@yahoo.com Ph: 407-859-1119 Fax: 407-859-1123

## STAMPED HANGER



**SIDE VIEW**



**FRONT VIEW**

MATERIAL	THICKNESS
Copper	.043"
Mill finish Galvanized	.043"
Powdercoated Galvanized	.053"

A	B	C	D	E	F
4"	2"	2 <sup>3</sup> / <sub>8</sub> "	1"	1/2"	3/16"
5"	2 <sup>1</sup> / <sub>2</sub> "	2 <sup>1</sup> / <sub>2</sub> "	1"	1/2"	3/16"
6"	3"	2 <sup>3</sup> / <sub>4</sub> "	1"	9/16"	1/4"
7"	3 <sup>1</sup> / <sub>2</sub> "	2 <sup>5</sup> / <sub>8</sub> "	1"	5/8"	1/4"
8"	4"	3"	1"	5/8"	1/4"

<b>Company:</b>	<b>Item:</b>
<b>Invoice:</b>	<b>Material:</b>
<b>PO#:</b>	<b>Notes:</b>
<b>Architect:</b>	
<b>Contractor:</b>	
<b>Date:</b>	
<b>Approved by:</b>	
<b>Signature:</b>	

**CUSTOM ORDERS CAN NOT BE RETURNED**