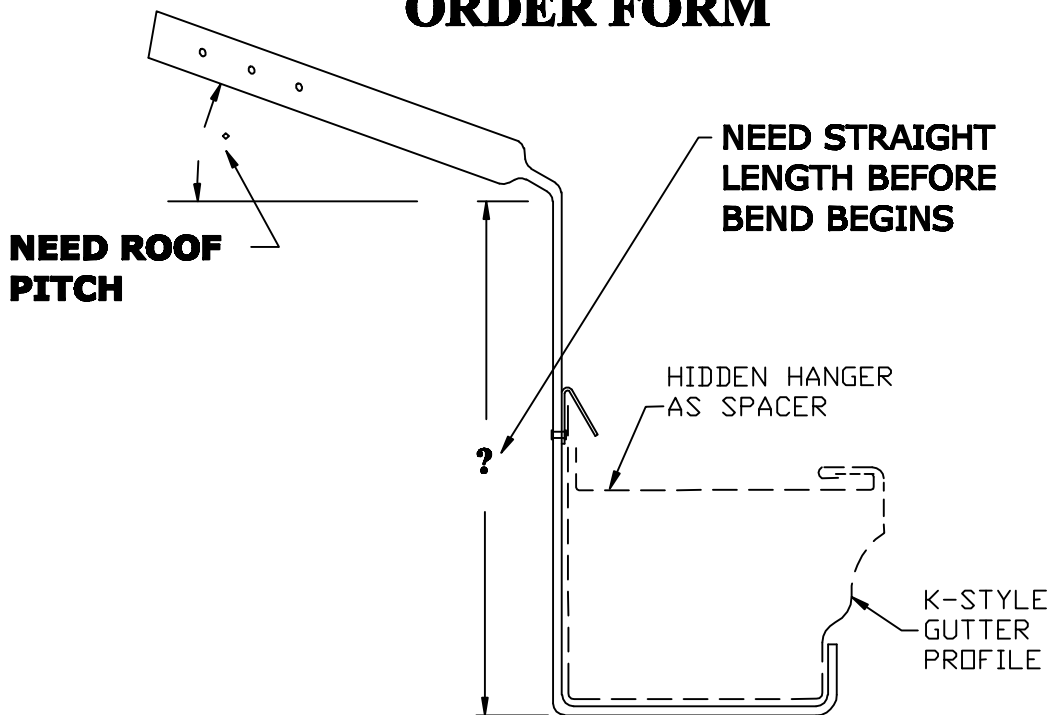


# RUTLAND GUTTER SUPPLY LLC

rutlandguttersupply@yahoo.com Ph: 407-859-1119 Fax: 407-859-1123

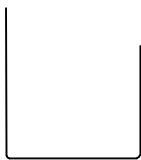
## BOX OR K-STYLE HANGER RAFTER MOUNT ORDER FORM



USE WITH  
EITHER:



K-STYLE  
GUTTER



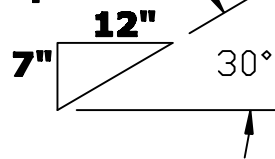
BOX STYLE  
GUTTER

### ROOF PITCH

To determine roof pitch:  
Use a straight edge at least 12" long,  
Put corner on roof, holding vertically  
level.

At the 12" point, measure down. This  
is your roof pitch.

EXAMPLE:



Company:

Item: BOX OR K-STYLE HANGER RAFTER MOUNT

Invoice:

Material:

PO#:

Notes:

Architect:

Contractor:

Date:

Approved by:

Signature:

**CUSTOM ORDERS CAN NOT BE RETURNED**