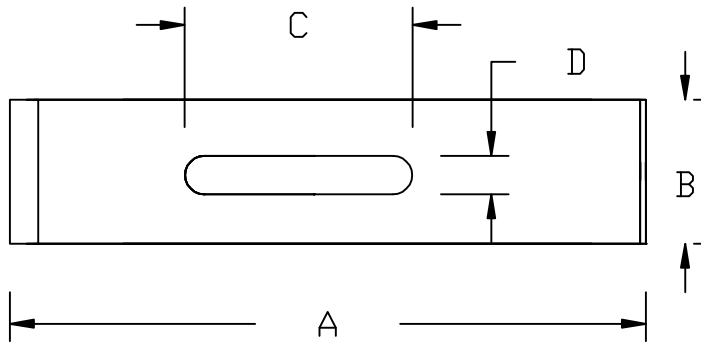


RUTLAND GUTTER SUPPLY LLC

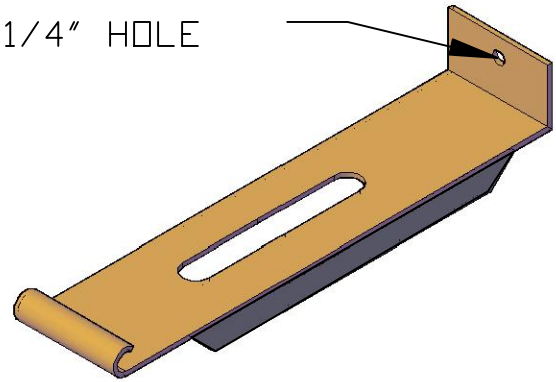
rutlandguttersupply@yahoo.com Ph: 407-859-1119 Fax: 407-859-1123

HIDDEN HANGER

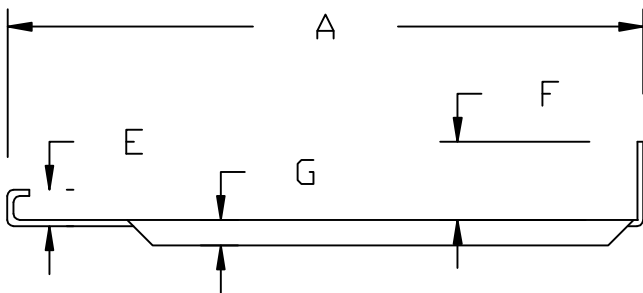


PLAN VIEW

Ø1/4" HOLE



ISO VIEW



SIDE VIEW

A	B	C	D	E	F	G
6 ⁵ / ₈ "	1 ³ / ₄ "	2 ³ / ₈ "	3 ³ / ₈ "	3 ³ / ₈ "	3 ³ / ₄ "	1 ¹ / ₄ "
7 ¹ / ₂ "	1 ³ / ₄ "	2 ¹ / ₂ "	3 ³ / ₈ "	9 ⁹ / ₁₆ "	1"	3 ³ / ₈ "

**** 6" AVAILABLE IN COPPER, ALUMINUM AND STAINLESS STEEL.**

7" AVAILABLE IN COPPER AND ALUMINUM**

Company:	Item:
Invoice:	Material:
PO#:	Notes:
Architect:	
Contractor:	
Date:	
Approved by:	
Signature:	

CUSTOM ORDERS CAN NOT BE RETURNED