

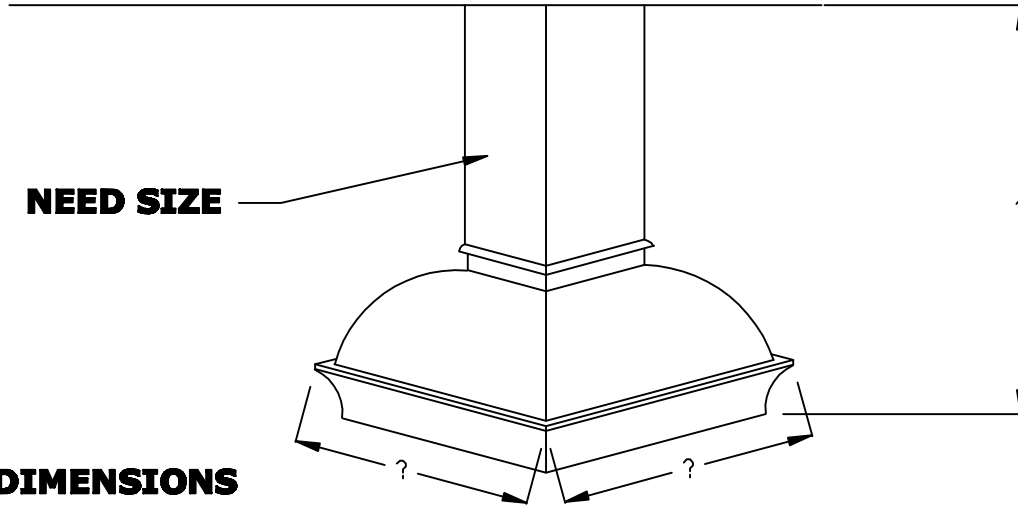
Rutland Gutter Supply LLC

rutlandguttersupply@yahoo.com Ph: 407-859-1119 Fax: 407-859-1123

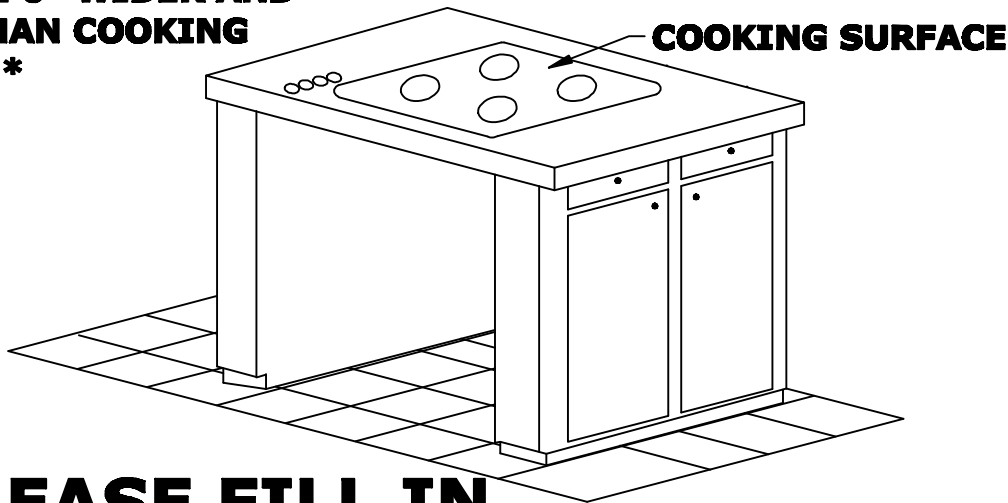
CONTEMPORARY ISLAND HOOD

FINISHED FLAT CEILING

(PLEASE INDICATE HEIGHT FOR VAULTED OR PITCHED CEILINGS)



**** HOOD DIMENSIONS SHOULD BE 6" WIDER AND LONGER THAN COOKING SURFACE ****



**** PLEASE FILL IN ALL DIMENSIONS ****

| | |
|---------------------|------------------|
| Company: | Item: |
| Invoice: | Material: |
| PO#: | Notes: |
| Architect: | |
| Contractor: | |
| Date: | |
| Approved by: | |
| Signature: | |

CUSTOM ORDERS CAN NOT BE RETURNED