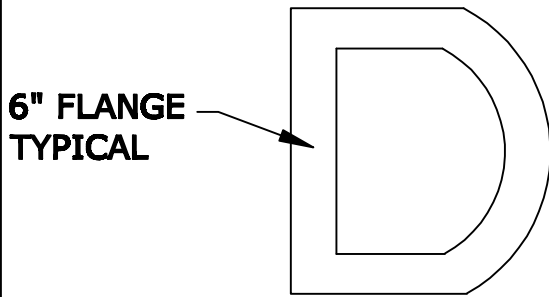


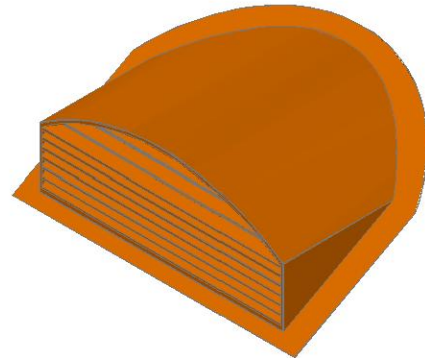
# RUTLAND GUTTER SUPPLY LLC

rutlandguttersupply@yahoo.com Ph: 407-859-1119 Fax: 407-859-1123

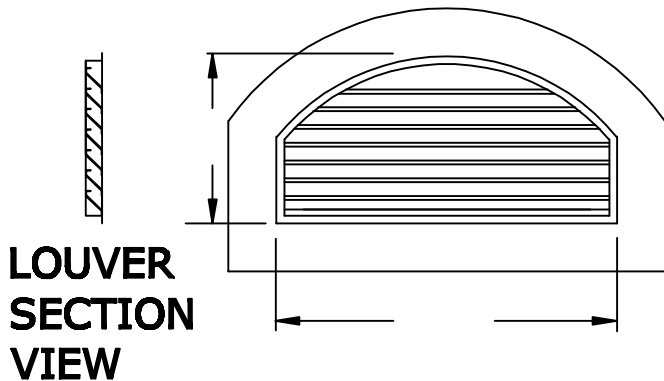
## DORMER ROOF VENT ARCHED



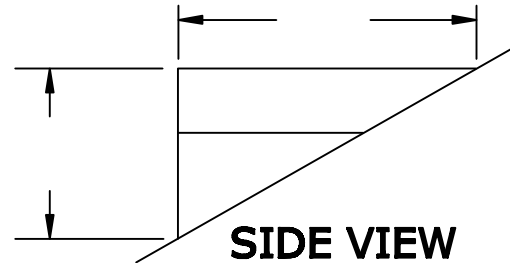
PLAN VIEW



ISO VIEW

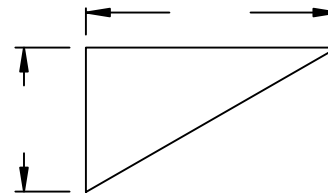


FRONT VIEW



SIDE VIEW

ROOF PITCH



**To determine roof pitch:**  
**Use a straight edge atleast 12" long,**  
**Put corner on roof, holding vertically**  
**level.**  
**At the 12" point, measure down. This**  
**is your roof pitch.**

**EXAMPLE:** 12"  
7"

**PLEASE FILL IN ALL MISSING DIMENSIONS INCLUDING MATERIAL & ROOF PITCH. THEN FAX BACKFOR A PRICE QUOTE.**

**\*\*Use 50sq. inch of free air per square foot of louver (HxW=square feet)\*\***

**Company:**

**Item:**

**Date:**

**Material:**

**Signature:**

**Notes:**

**CUSTOM ORDERS CAN NOT BE RETURNED**