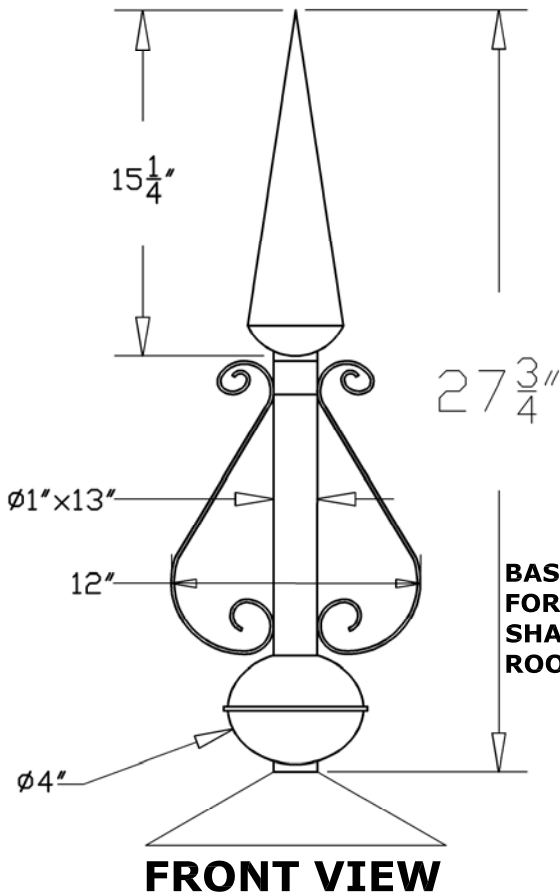


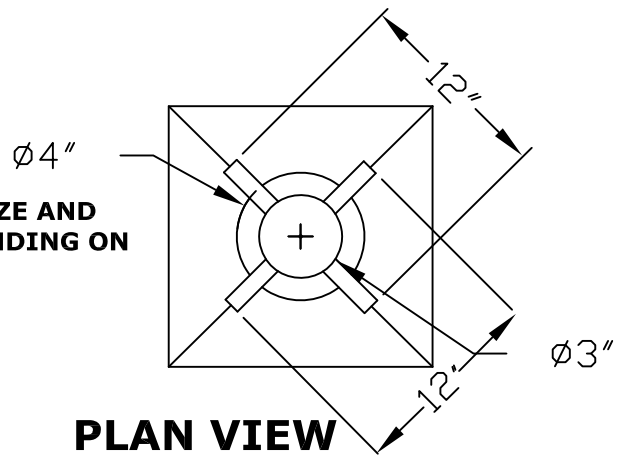
# RUTLAND GUTTER SUPPLY LLC

sales@rutlandguttersupply.com Ph: 407-859-1119 Fax: 407-859-1123

## FL002



**ISO VIEW**

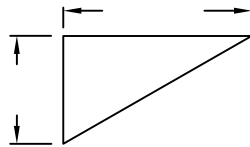
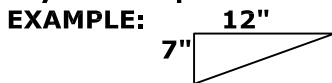


**BASE SHOWN FOR REFERENCE ONLY SIZE AND SHAPE WILL VARY DEPENDING ON ROOF SHAPE AND PITCH**

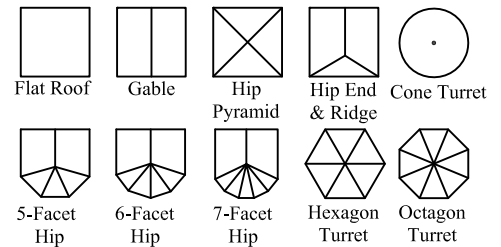
### SPECIFY ROOF PITCH

**To determine roof pitch:**  
Use a straight edge atleast 12" long, Put corner on roof, holding vertically level.

**At the 12" point, measure down. This is your roof pitch.**



### SELECT ROOF SHAPE



<b>Company:</b>	<b>Item:</b> FL002
<b>Invoice:</b>	<b>Material:</b>
<b>PO#:</b>	<b>Notes:</b>
<b>Architect:</b>	
<b>Contractor:</b>	
<b>Date:</b>	
<b>Approved by:</b>	
<b>Signature:</b>	

**CUSTOM ORDERS CAN NOT BE RETURNED**