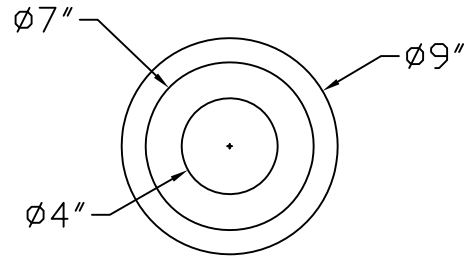
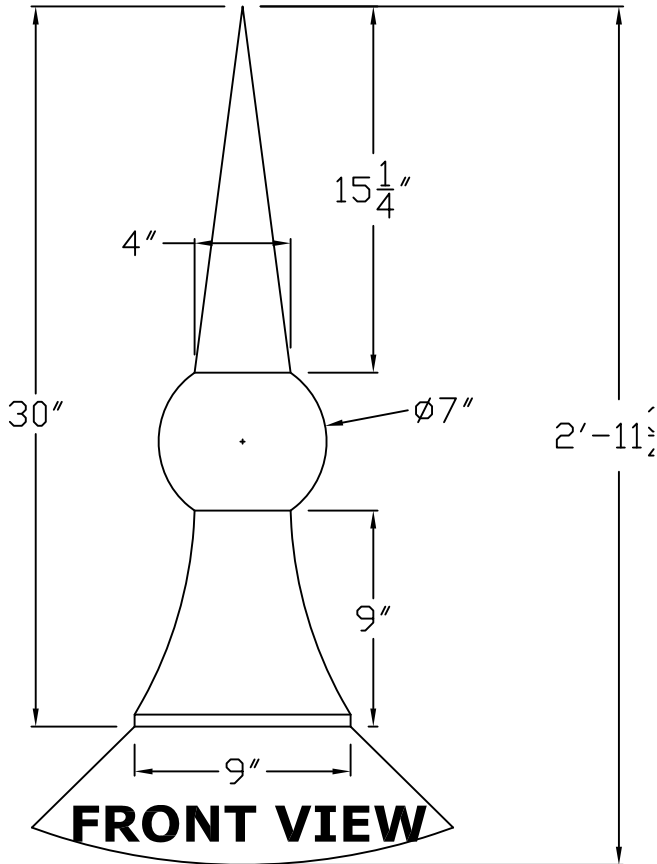


RUTLAND GUTTER SUPPLY LLC

sales@rutlandguttersupply.com Ph: 407-859-1119 Fax: 407-859-1123

FL020

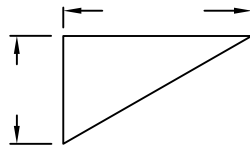
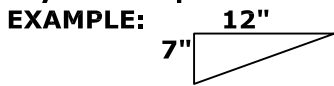


TOP VIEW

SPECIFY ROOF PITCH

To determine roof pitch:
Use a straight edge atleast 12" long,
Put corner on roof, holding vertically
level.

At the 12" point, measure down. This
is your roof pitch.



SELECT ROOF SHAPE

- Flat Roof
- Gable
- Hip Pyramid
- Hip End & Ridge
- Cone Turret
- 5-Facet Hip
- 6-Facet Hip
- 7-Facet Hip
- Hexagon Turret
- Octagon Turret

Company:	Item: FL020
Invoice:	Material:
PO#:	Notes:
Architect:	
Contractor:	
Date:	
Approved by:	
Signature:	

CUSTOM ORDERS CAN NOT BE RETURNED