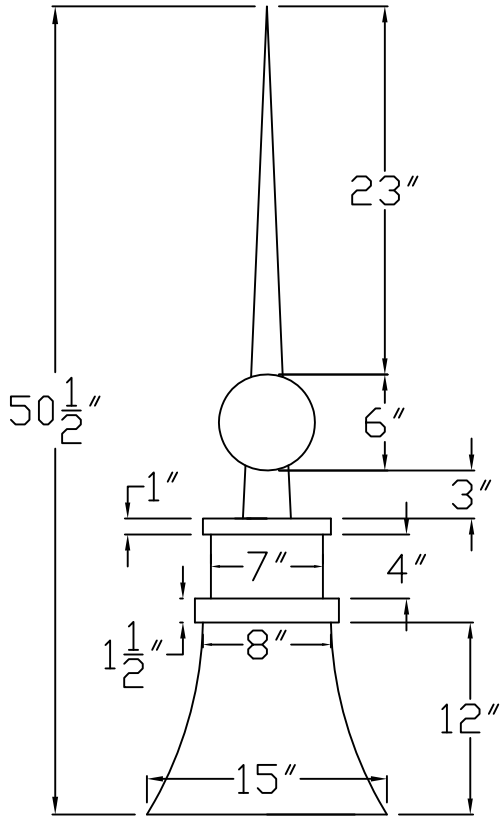


# RUTLAND GUTTER SUPPLY LLC

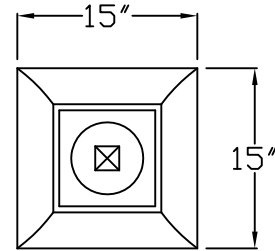
sales@rutlandguttersupply.com Ph: 407-859-1119 Fax: 407-859-1123

## FL023



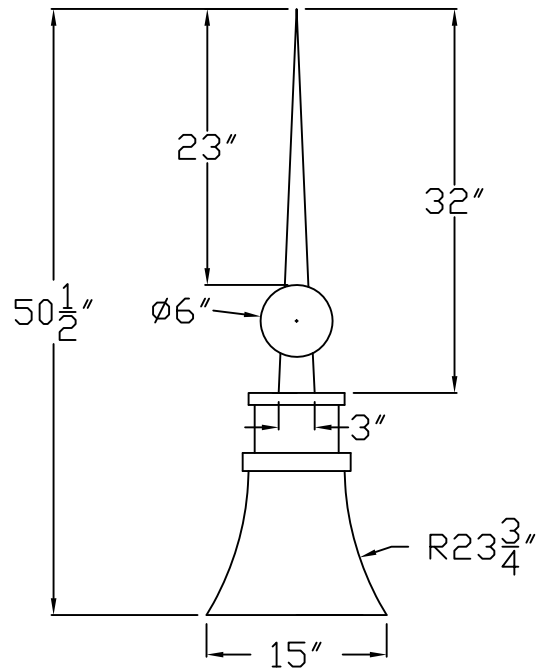
SCALE: 1" = 1'-0"

**FRONT VIEW (A)**



SCALE:  $\frac{3}{4}$ " = 1'-0"

**TOP VIEW**



SCALE:  $\frac{3}{4}$ " = 1'-0"

**FRONT VIEW (B)**

<b>Company:</b>	<b>Item:</b> FL023
<b>Invoice:</b>	<b>Material:</b> Copper
<b>PO#:</b>	<b>Notes:</b>
<b>Architect:</b>	
<b>Contractor:</b>	
<b>Date:</b>	
<b>Approved by:</b>	
<b>Signature:</b>	

**CUSTOM ORDERS CAN NOT BE RETURNED**