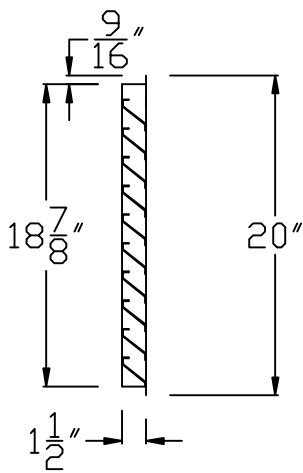


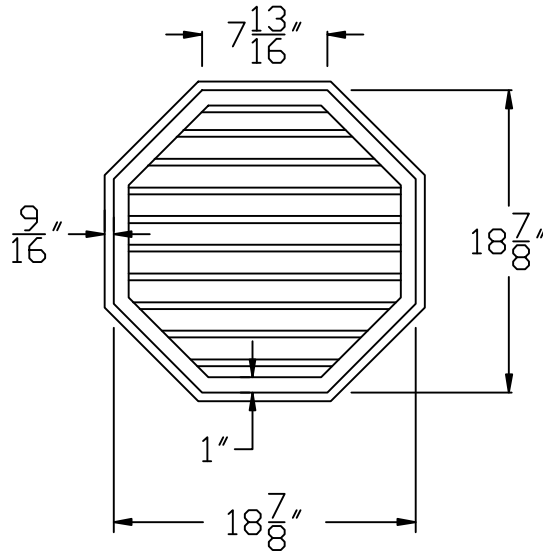
RUTLAND GUTTER SUPPLY LLC

rutlandguttersupply@yahoo.com Ph: 407-859-1119 Fax: 407-859-1123

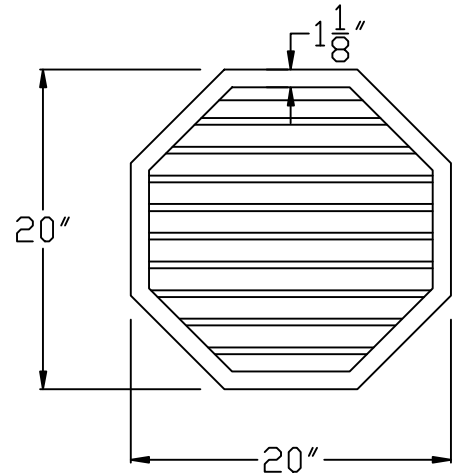
OCTAGON WALL-MOUNTED LOUVER VENT



SIDE VIEW



BACK VIEW



FRONT VIEW

LOUVER WIDTH	LOUVER DEPTH	TOTAL BLADES	NET FREE AREA
18 7/8"	1/2"	10	42.5 ² "

Scale: 1" = 1'-0"

Company:	Item: HEXAGON WAL MOUNTED VENT
Invoice:	Material:
PO#:	Notes:
Architect:	
Contractor:	
Date:	
Approved by:	
Signature:	

CUSTOM ORDERS CAN NOT BE RETURNED