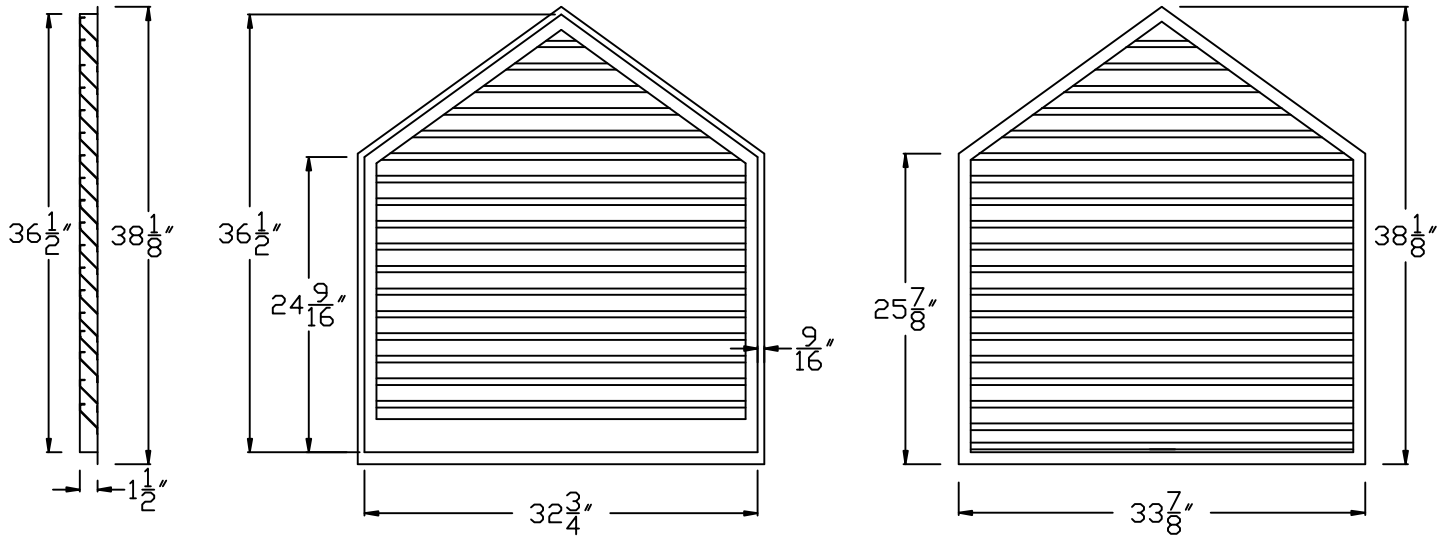


RUTLAND GUTTER SUPPLY LLC

rutlandguttersupply@yahoo.com Ph: 407-859-1119 Fax: 407-859-1123

LARGE GABLE END LOUVER



SIDE VIEW

BACK VIEW

FRONT VIEW

LOUVER HEIGHT	LOUVER WIDTH	LOUVER DEPTH	TOTAL BLADES	NET FREE AREA
$36\frac{1}{2}"$	$32\frac{3}{4}"$	$\frac{5}{8}"$	19	148.94 ² "

Scale: $\frac{3}{4}" = 1'-0"$

Company:	Item:
Invoice:	Material:
PO#:	Notes:
Architect:	
Contractor:	
Date:	
Approved by:	
Signature:	

CUSTOM ORDERS CAN NOT BE RETURNED