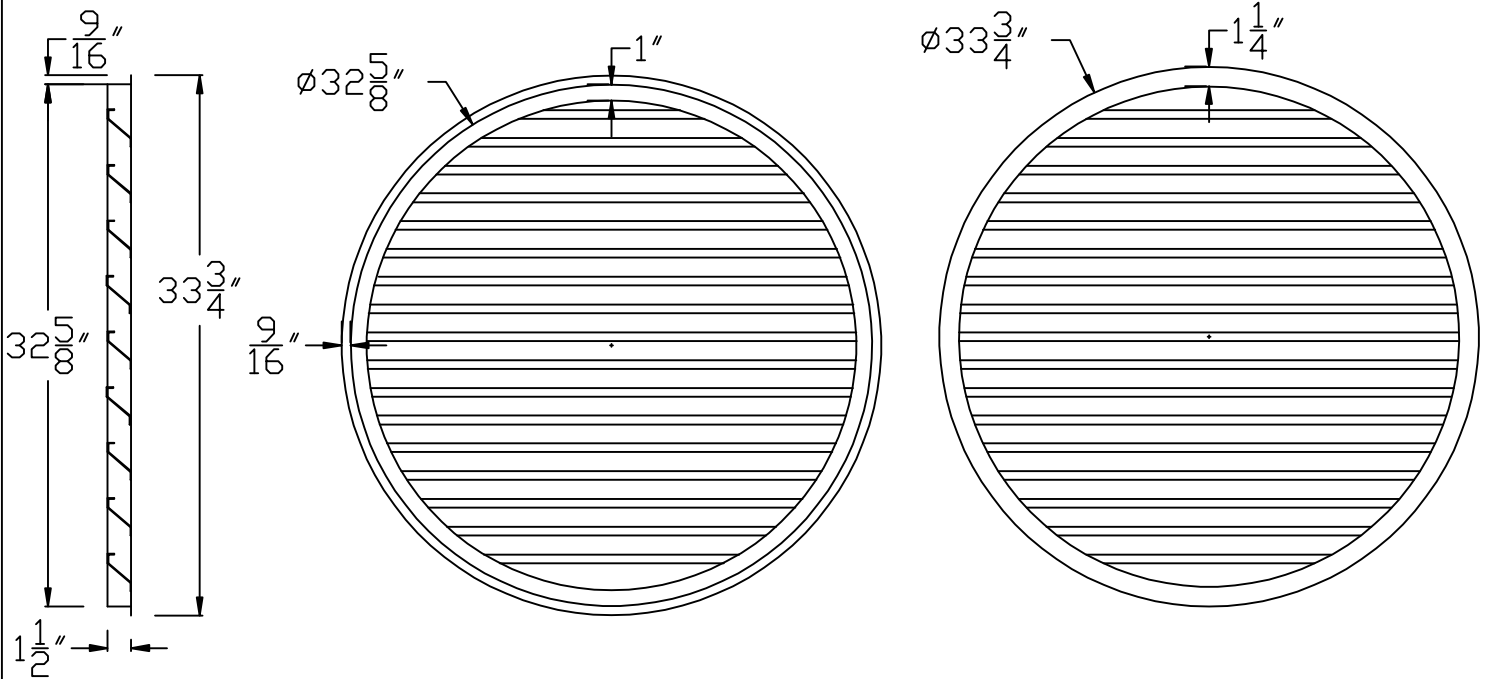


RUTLAND GUTTER SUPPLY LLC

rutlandguttersupply@yahoo.com Ph: 407-859-1119 Fax: 407-859-1123

LARGE ROUND WALL-MOUNTED LOUVER VENT



SIDE VIEW

BACK VIEW

FRONT VIEW

LOUVER Ø	LOUVER DEPTH	TOTAL BLADES	NET FREE AREA
19 1/8"	1/2"	18	123.75 ² "

Scale: 1" = 1'-0"

Company:

Item:

Invoice:

Material:

PO#:

Notes:

Architect:

Contractor:

Date:

Approved by:

Signature:

CUSTOM ORDERS CAN NOT BE RETURNED