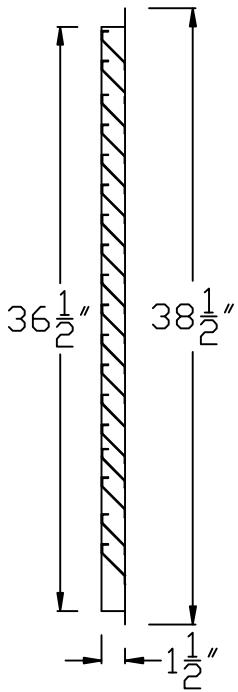


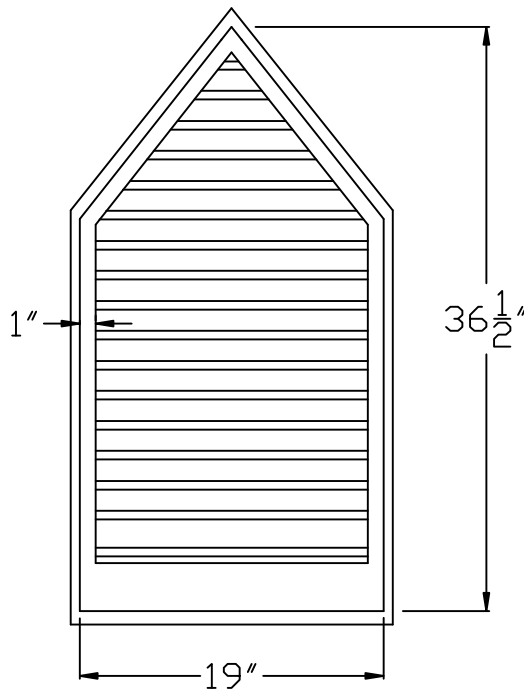
RUTLAND GUTTER SUPPLY LLC

rutlandguttersupply@yahoo.com Ph: 407-859-1119 Fax: 407-859-1123

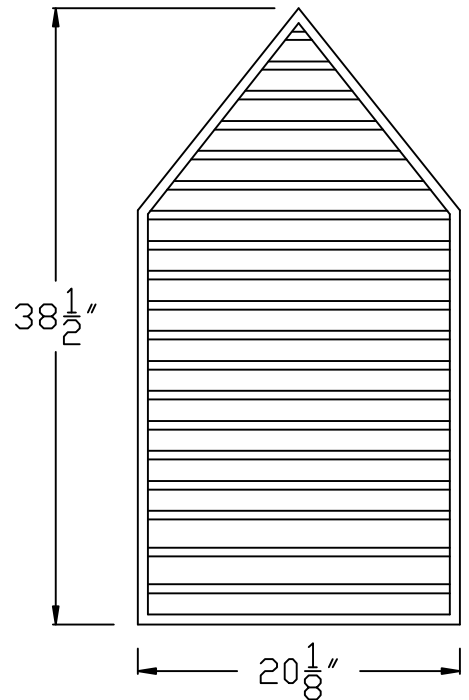
MEDIUM GABLE END LOUVER



SIDE VIEW



BACK VIEW



FRONT VIEW

LOUVER HEIGHT	LOUVER WIDTH	LOUVER DEPTH	TOTAL BLADES	NET FREE AREA
36 $\frac{1}{2}$ "	19"	$\frac{5}{8}$ "	19	82.34 ² "

Scale: 1" = 1'-0"

Company:	Item:
Invoice:	Material:
PO#:	Notes:
Architect:	
Contractor:	
Date:	
Approved by:	
Signature:	

CUSTOM ORDERS CAN NOT BE RETURNED