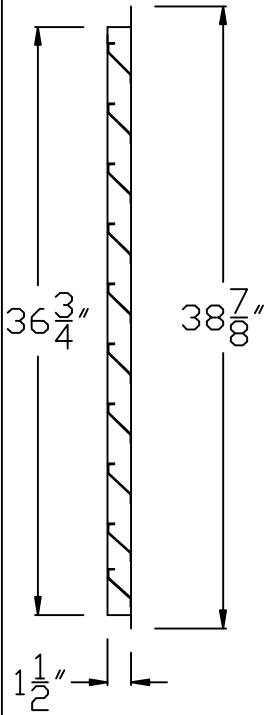


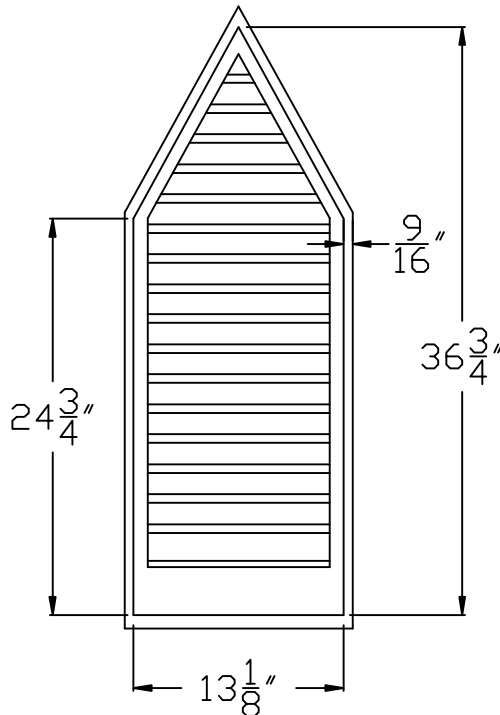
RUTLAND GUTTER SUPPLY LLC

rutlandguttersupply@yahoo.com Ph: 407-859-1119 Fax: 407-859-1123

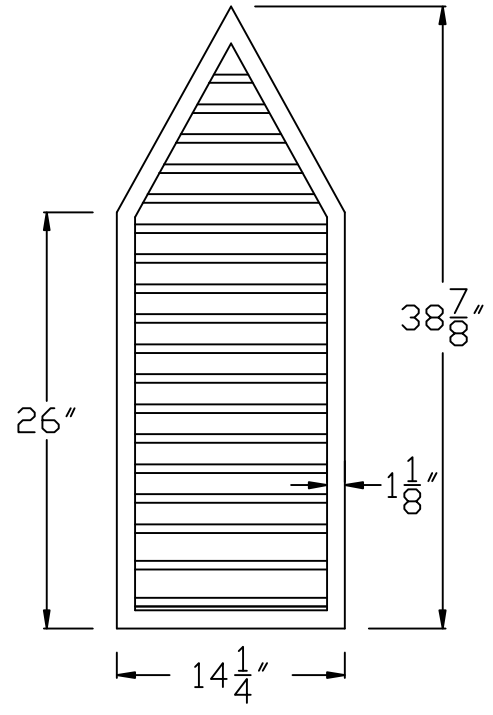
SMALL GABLE END LOUVER



SIDE VIEW



BACK VIEW



FRONT VIEW

LOUVER HEIGHT	LOUVER WIDTH	LOUVER DEPTH	TOTAL BLADES	NET FREE AREA
36 $\frac{3}{4}$ "	13 $\frac{1}{8}$ "	$\frac{5}{8}$ "	18	53.32 2 "

Scale: 1" = 1'-0"

Company:	Item:
Invoice:	Material:
PO#:	Notes:
Architect:	
Contractor:	
Date:	
Approved by:	
Signature:	

CUSTOM ORDERS CAN NOT BE RETURNED