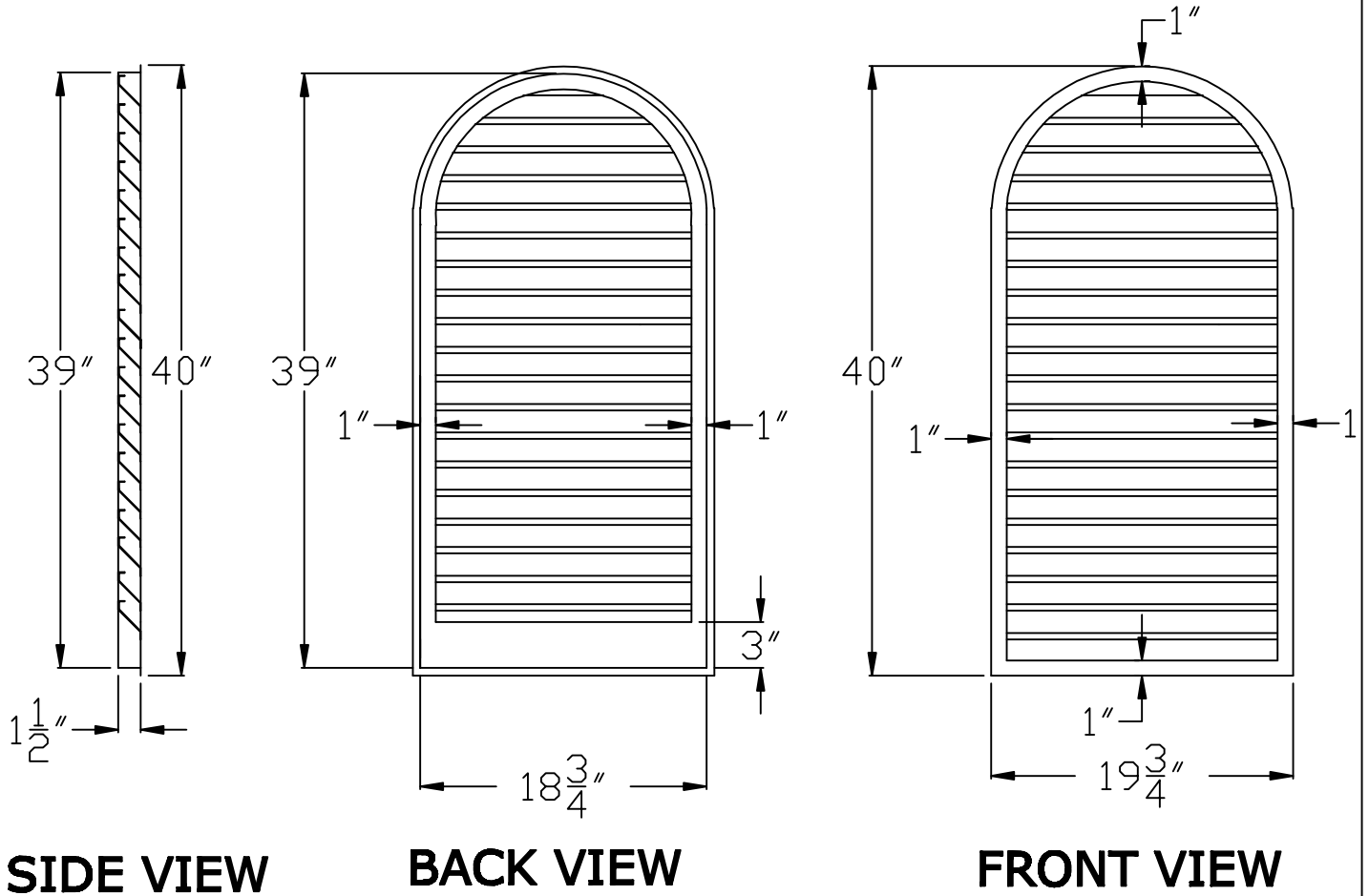


Rutland Gutter Supply Inc

rutlandguttersupply@yahoo.com Ph: 407-859-1119 Fax: 407-859-1123



Scale: 1" = 1'-0"

LOUVER	LOUVER DEPTH	TOTAL BLADES	NET FREE AREA
18 3/4"	1/2"	19	79.52"

Company:	Item: 20" X 40" LOUVER
Invoice:	Material:
PO#:	Notes:
Architect:	
Contractor:	
Date:	
Approved by:	
Signature:	

CUSTOM ORDERS CAN NOT BE RETURNED