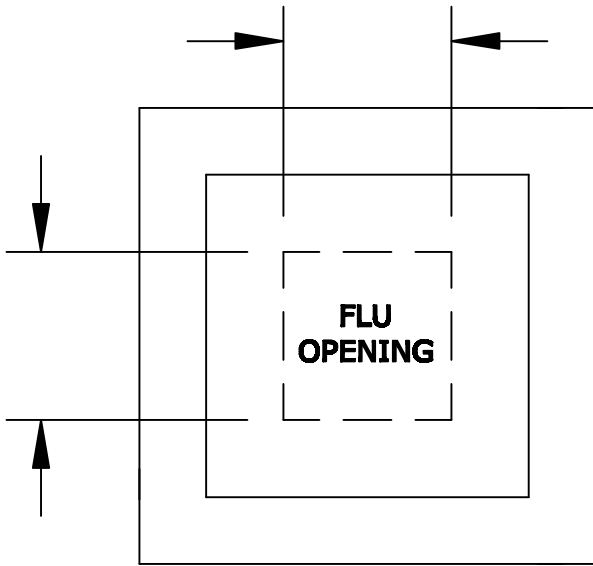


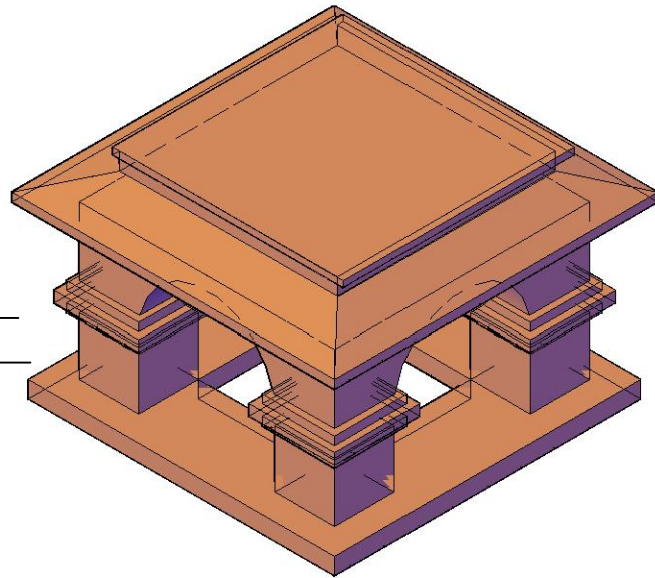
RUTLAND GUTTER SUPPLY LLC

rutlandguttersupply@yahoo.com Ph: 407-859-1119 Fax: 407-859-1123

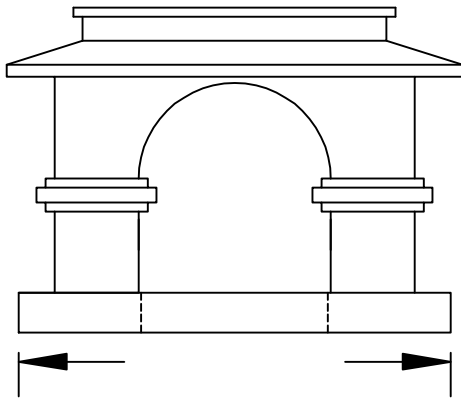
CC002 ORDER FORM



PLAN VIEW



ISO VIEW



SIDE VIEW

*** PLEASE FILL
IN MISSING
DIMENSIONS***

Company:

Invoice:

PO#:

Architect:

Contractor:

Date:

Approved by:

Signature:

Item:

Material:

Notes:

CUSTOM ORDERS CAN NOT BE RETURNED