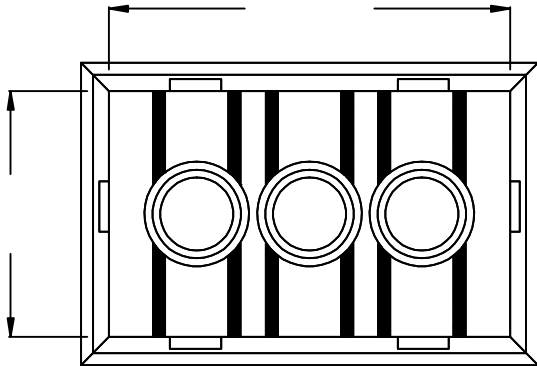


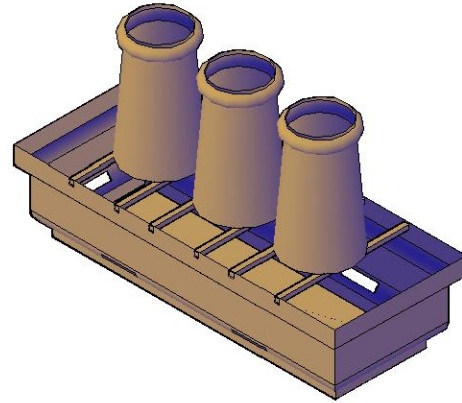
RUTLAND GUTTER SUPPLY LLC

rutlandguttersupply@yahoo.com Ph: 407-859-1119 Fax: 407-859-1123

CC009

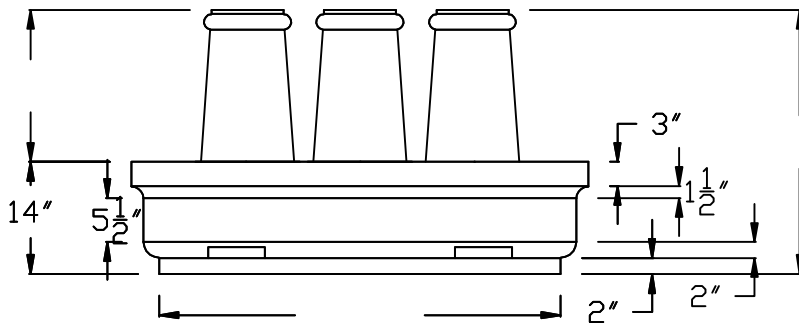


PLAN VIEW

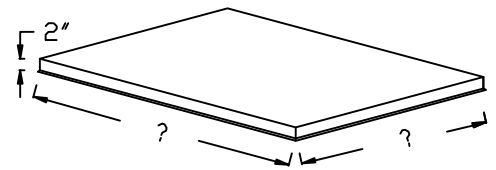


ISO VIEW

****FILL IN MISSING DIMENSIONS****



SIDE VIEW



PAN ISO VIEW

Company:	Item: CHIMNEY CAP 009
Invoice:	Material:
PO#:	Notes:
Architect:	
Contractor:	
Date:	
Approved by:	
Signature:	

CUSTOM ORDERS CAN NOT BE RETURNED