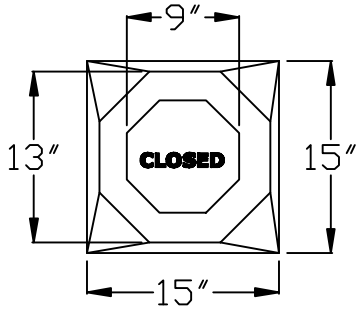


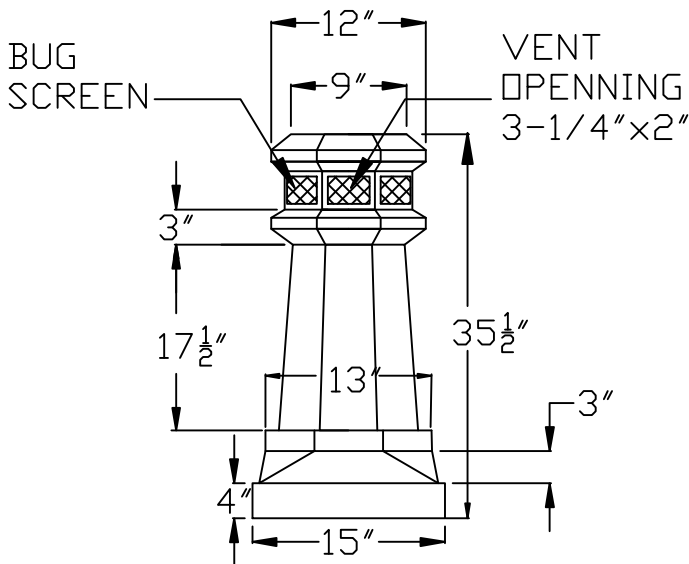
# RUTLAND GUTTER SUPPLY LLC

rutlandguttersupply@yahoo.com Ph: 407-859-1119 Fax: 407-859-1123

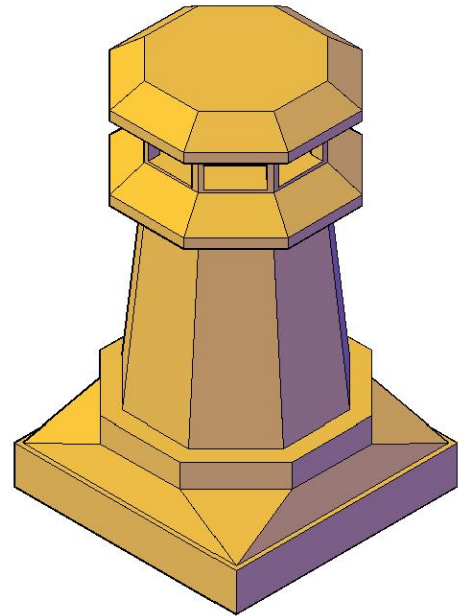
## CC018



**PLAN VIEW**



**FRONT VIEW**



**ISO VIEW**

<b>Company:</b>	<b>Item: CC018</b>
<b>Invoice:</b>	<b>Material: COPPER</b>
<b>PO#:</b>	<b>Notes:</b>
<b>Architect:</b>	
<b>Contractor:</b>	
<b>Date:</b>	
<b>Approved by:</b>	
<b>Signature:</b>	

**CUSTOM ORDERS CAN NOT BE RETURNED**