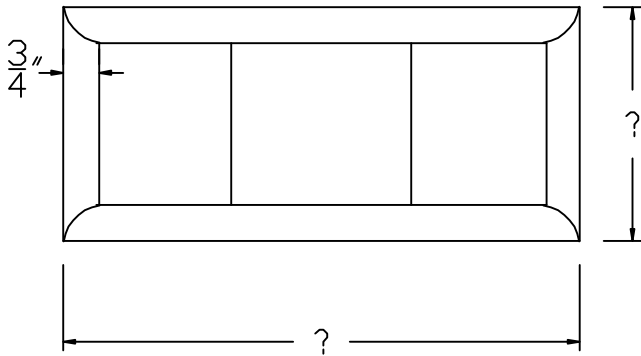
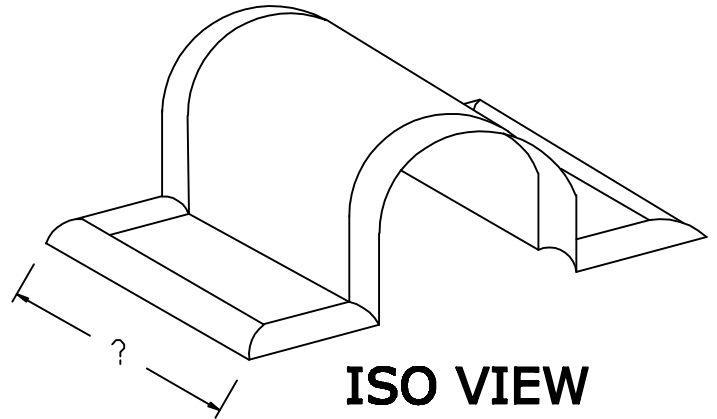


RUTLAND GUTTER SUPPLY LLC

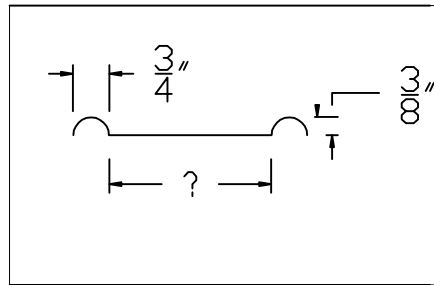
rutlandguttersupply@yahoo.com Ph: 407-859-1119 Fax: 407-859-1123



PLAN VIEW

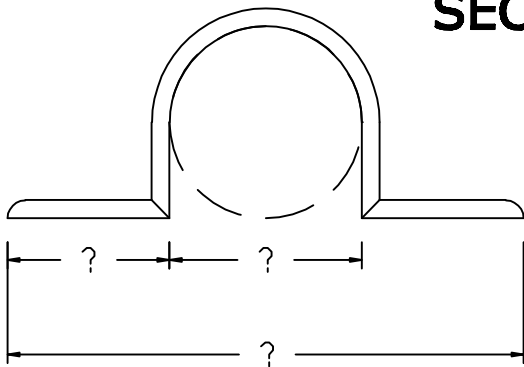


ISO VIEW

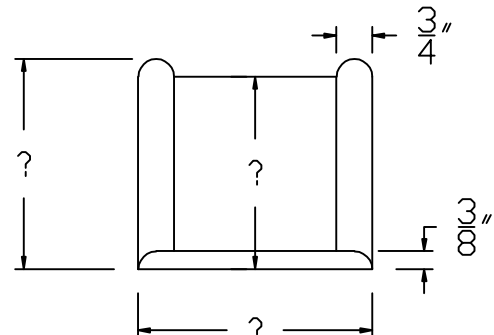


SECTION VIEW

*** PLEASE FILL IN MISSING DIMENSIONS***



FRONT VIEW



SIDE VIEW

Company:	Item: CUSTOM PIPE BAND
Invoice:	Material:
PO#:	Notes:
Architect:	
Contractor:	
Date:	
Approved by:	
Signature:	

CUSTOM ORDERS CAN NOT BE RETURNED