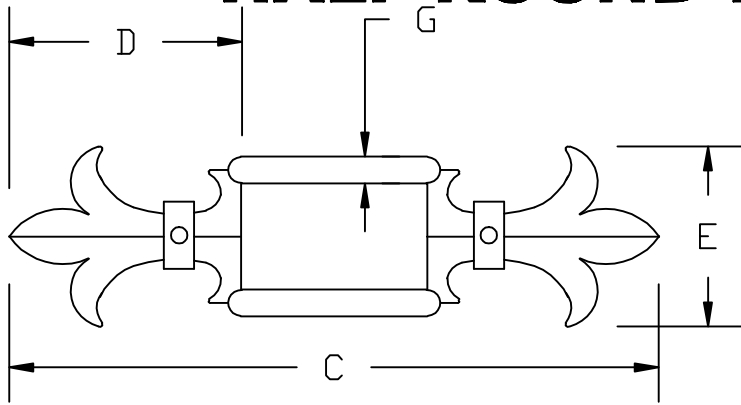


RUTLAND GUTTER SUPPLY LLC

rutlandguttersupply@yahoo.com Ph: 407-859-1119 Fax: 407-859-1123

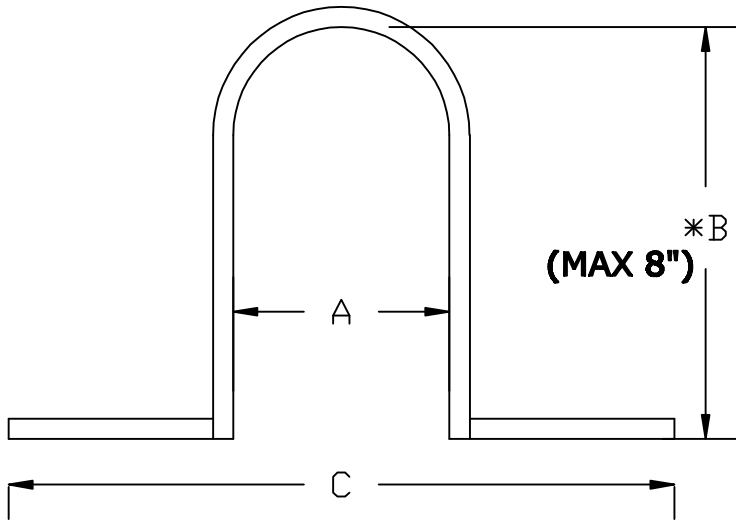
3" & 4" FLEUR DE LIS CUSTOM HALF ROUND PIPE BAND



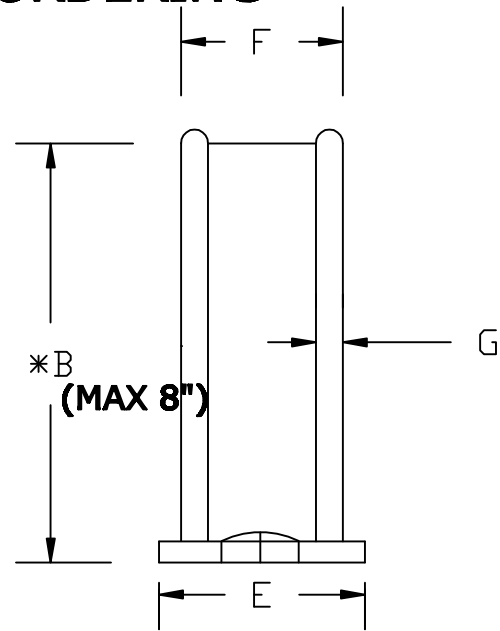
PLAN VIEW

A	B	C	D	E	F	G
3	*	11½"	4¼"	3½"	3"	½"
4	*	12½"	4¼"	3½"	3"	½"

* 4"Ø MIN. 4" OFF WALL MAX 8"
* 3"Ø MIN. 3" OFF WALL MAX 8"
PLEASE SPECIFY WHEN ORDERING



FRONT VIEW



SIDE VIEW

Company:	Item:
Invoice:	Material:
PO#:	Notes:
Architect:	
Contractor:	
Date:	
Approved by:	
Signature:	

CUSTOM ORDERS CAN NOT BE RETURNED