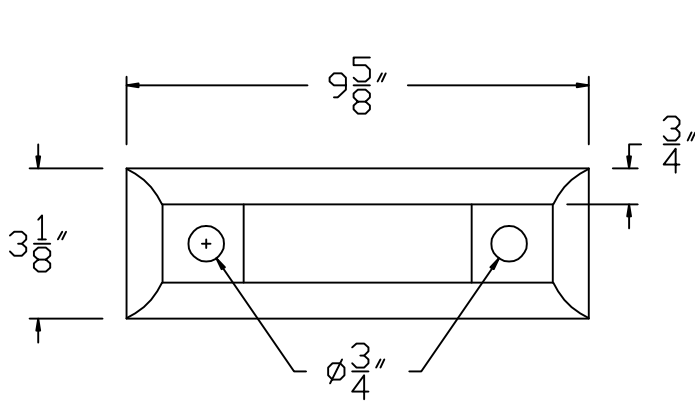
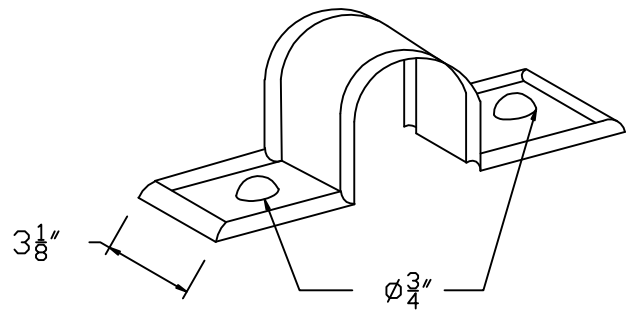


RUTLAND GUTTER SUPPLY LLC

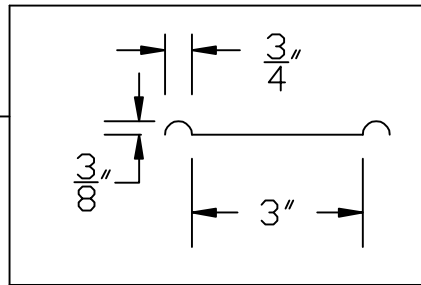
rutlandguttersupply@yahoo.com Ph: 407-859-1119 Fax: 407-859-1123



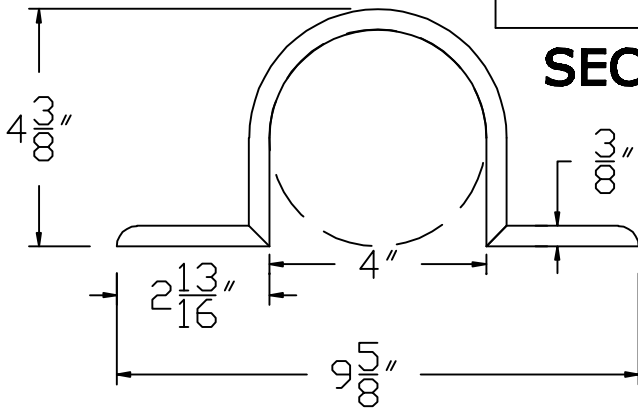
TOP VIEW



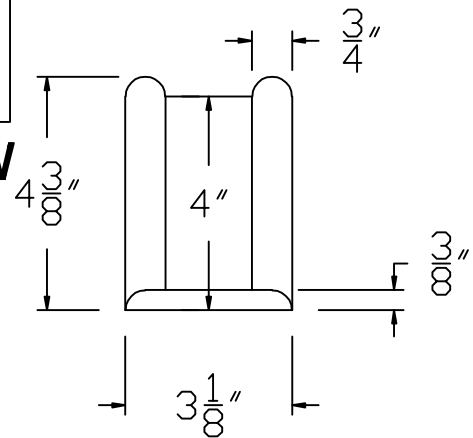
ISO VIEW



SECTION VIEW



FRONT VIEW



SIDE VIEW

Company:	Item: 4" HARVARD PIPE STRAP
Invoice:	Material:
PO#:	Notes:
Architect:	
Contractor:	
Date:	
Approved by:	
Signature:	

CUSTOM ORDERS CAN NOT BE RETURNED