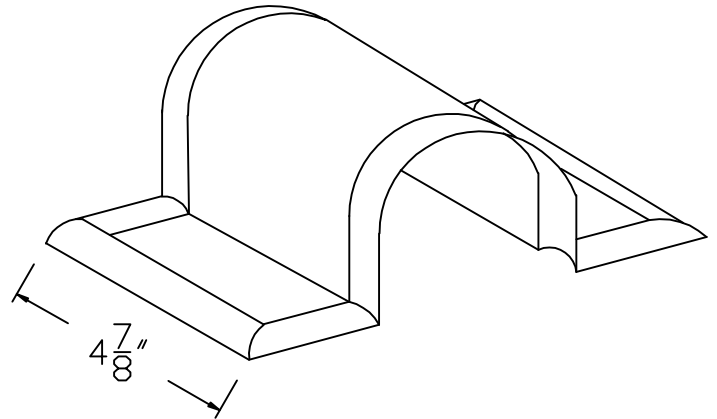
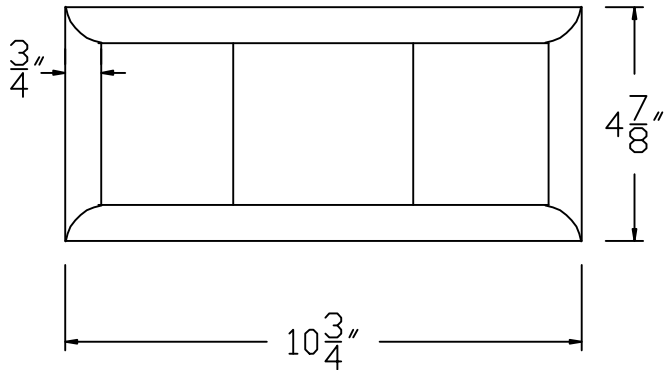


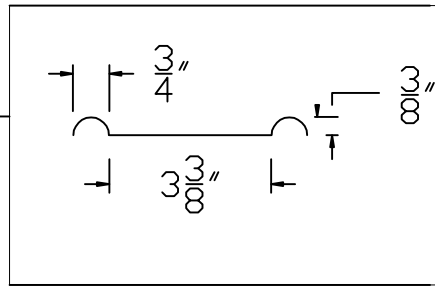
RUTLAND GUTTER SUPPLY LLC

rutlandguttersupply@yahoo.com Ph: 407-859-1119 Fax: 407-859-1123

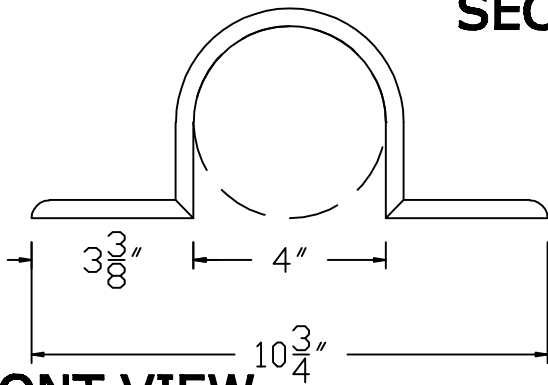


FRONT VIEW

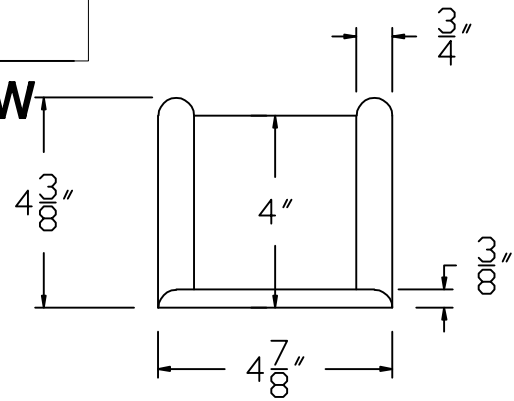
ISO VIEW



SECTION VIEW



FRONT VIEW



SIDE VIEW

Company:

Item: 4" PRINCETON PIPE BAND

Invoice:

Material:

PO#:

Notes:

Architect:

Contractor:

Date:

Approved by:

Signature:

CUSTOM ORDERS CAN NOT BE RETURNED