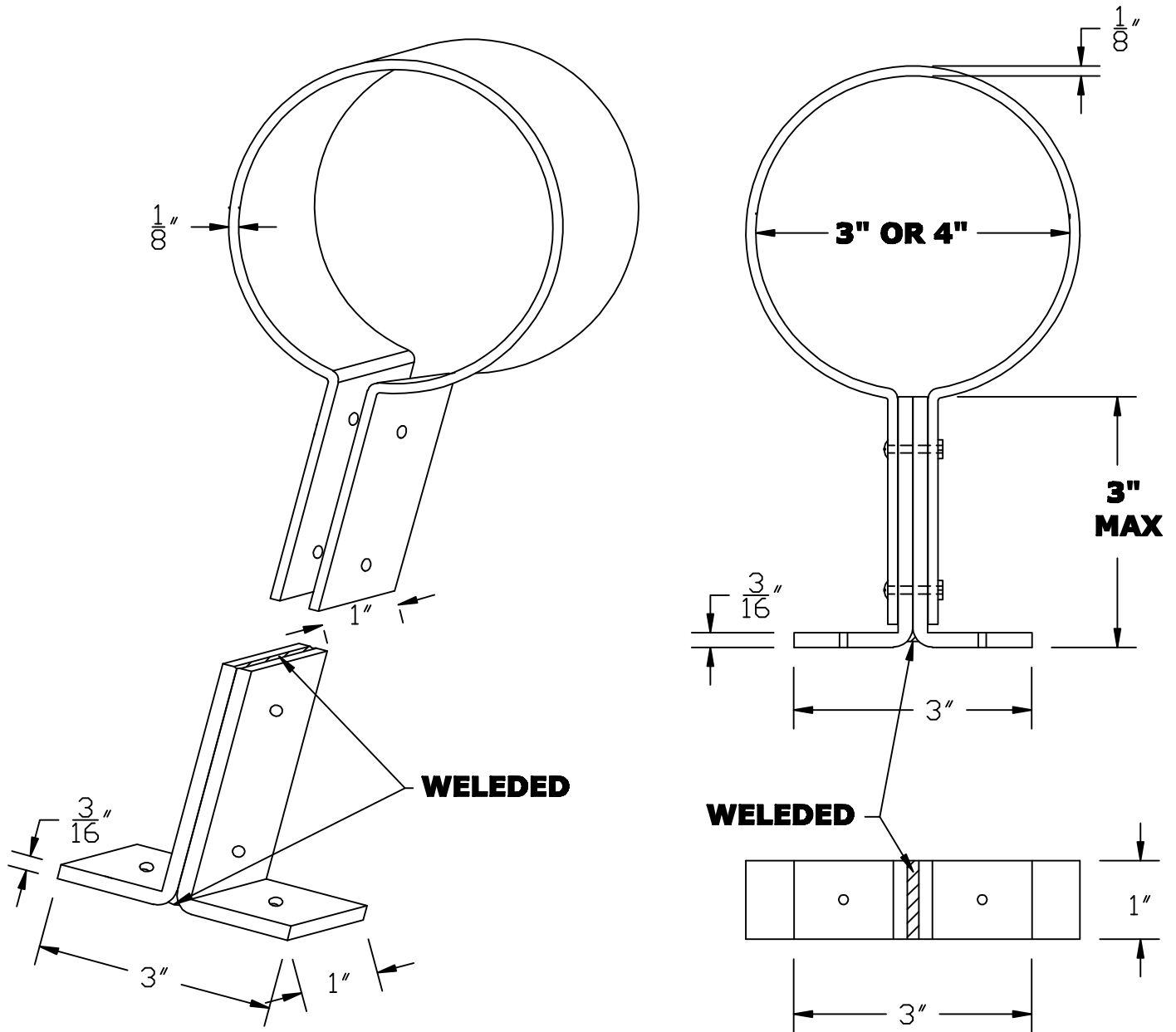


RUTLAND GUTTER SUPPLY LLC

rutlandguttersupply@yahoo.com Ph: 407-859-1119 Fax: 407-859-1123



Company:	Item: NEW STAND OFF PIPE BRACKET
Invoice:	Material: COPPER ONLY
PO#:	Notes: AVAILABLE IN 3" OR 4"
Architect:	
Contractor:	
Date: 4/15/14	
Approved by:	
Signature:	

CUSTOM ORDERS CAN NOT BE RETURNED