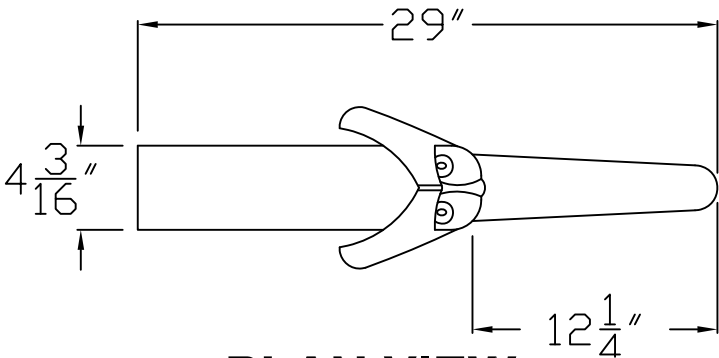


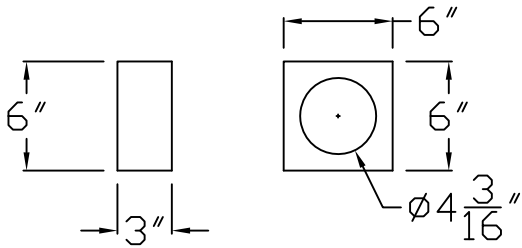
RUTLAND GUTTER SUPPLY LLC

rutlandguttersupply@yahoo.com Ph: 407-859-1119 Fax: 407-859-1123

LARGE GARGOYLE RAIN SPOUT

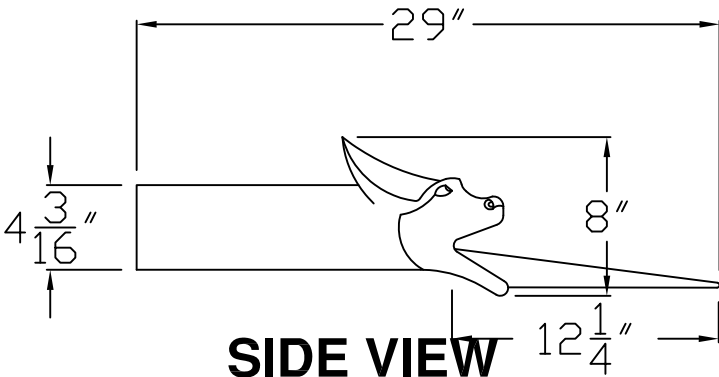


PLAN VIEW

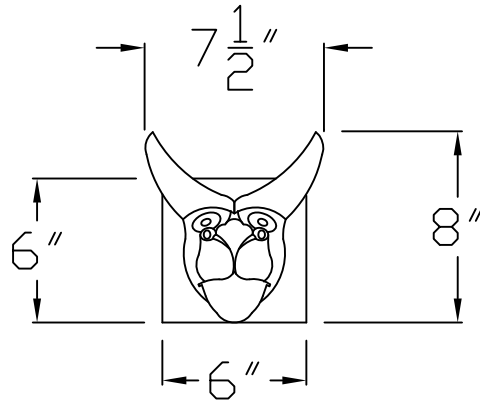


BOX COLLAR

****PLEASE SPECIFY LOCATION OF BOX COLLAR**



SIDE VIEW



FRONT VIEW

Company:	Item: GARGOYLE RAIN SPOUT
Invoice:	Material: COPPER
PO#:	Notes:
Architect:	
Contractor:	
Date:	
Approved by:	
Signature:	

CUSTOM ORDERS CAN NOT BE RETURNED